

GENERAL NOTES AND SPECIFICATIONS

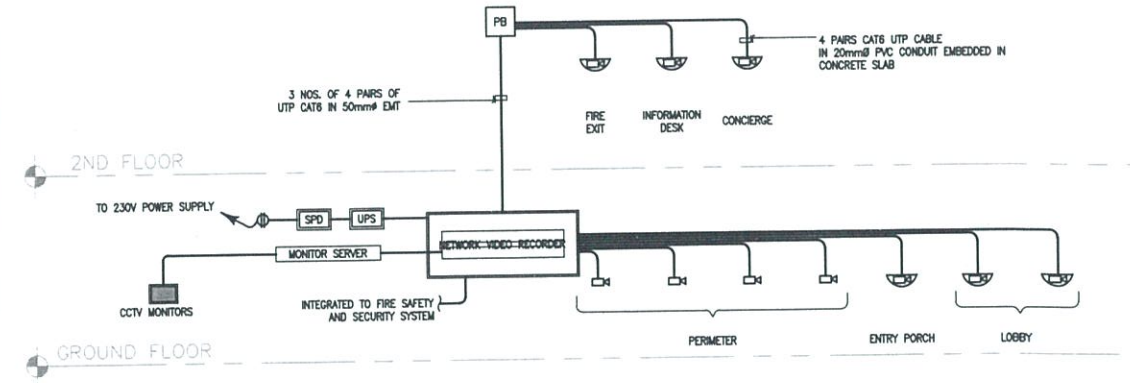
- ALL WORKS HEREIN INCLUDED SHALL BE EXECUTED IN ACCORDANCE WITH THE PROVISION OF THE LATEST EDITION OF THE PHILIPPINE ELECTRICAL CODE, THE RULES AND REGULATIONS OF THE LOCALITY AND THE REQUIREMENTS OF THE CLIENT/OWNER.
- ALL WORKS HEREIN INCLUDED SHALL BE EXECUTED BY EXPERIENCED MEN UNDER THE DIRECT SUPERVISION OF A FULL TIME LICENSED ELECTRONICS AND COMMUNICATIONS ENGINEER (ECE). ALL WORKS SHALL BE NEATLY PLACED, SECURELY FASTENED AND PROPERLY FINISHED.
- MATERIALS SHALL BE NEW AND SHALL CONFORM WITH THE STANDARD AMERICAN UNDERWRITER'S LABORATORIES, INC., IN EVERY CASE WHERE SUCH A STANDARD HAS BEEN ESTABLISHED FOR THE PARTICULAR TYPE OF MATERIAL IN QUESTION. ALL EQUIPMENT SHALL BE PURCHASED ACCORDING TO SPECIFICATIONS.
- ALL EXPOSED & CEILING CONCEALED CONDUITS SHALL BE OF INTERMEDIATE METALLIC CONDUIT ON HIGH STRENGTH AND GALVANIZED WITH AN ADDITIONAL INTERIOR PROTECTIVE COATING SHALL BE USED OR AS INDICATED IN THE PLANS. ALL EMBEDDED CONDUITS SHALL BE OF POLYVINYL CHLORIDE. ALL EXPOSED AND NOT PRONE TO DAMAGE CONDUITS SHALL BE OF ELECTRICAL METALLIC TUBING.
- VOICE AND DATA WIRING SHALL BE SEPARATED FROM ANY OTHER BUILDING OR POWER WIRING, TO PREVENT HUMMING AND ELECTROMAGNETIC INTERFERENCE (EMI), TO MEET OR EXCEED THE EIA/TIA 568A CABLING STANDARD.
- ALL CONDUITS AND WIRE WAYS SHALL BE PROTECTED AGAINST DAMAGES BY THE ENTRANCE OF WATER AND FOREIGN MATTER DURING CONSTRUCTION. ALL ENDS OF CONDUITS SHALL BE PROPERLY PLUGGED TO EXCLUDE MOISTURE AND DUST IMMEDIATELY AFTER THE CONDUITS ARE PLACED.
- ALL CONDUIT BENDS SHALL BE FIELD-MADE USING HYDRAULIC BENDERS. MINIMUM BENDING RADIUS SHALL BE IN ACCORDANCE WITH THE CODE.
- ALL PIPES AND FITTINGS ON EXPOSED WORK SHALL BE SUPPORTED AND SECURED BY MEANS OF C-CHANNELS AND CLAMPS.
- THE POSITION OF ALL ELECTRONICS EQUIPMENT AS SHOWN IN THE DRAWINGS ARE APPROXIMATE ONLY. THE EXACT POSITIONS SHALL BE DETERMINED ON SITE.
- ALL MDF'S AND IDF'S SHALL BE CONSTRUCTED IN ACCORDANCE WITH THE LATEST EDITION OF PHILIPPINE ELECTRICAL/ELECTRONICS, EA AND BICSI CODE. THEY SHALL BE PAINTED WITH A COAT OF ANTI-RUST PAINT AND TWO COATS OF SEMI-GLASS TEAK PAINT OF BEST QUALITY TO THE APPROVAL OF THE CONSULTANT.
- ALL ELECTRONICS EQUIPMENT AND DEVICES LOCATIONS SHOWN ARE INDICATIVE ONLY AND THE ELECTRICAL CONTRACTOR MUST COORDINATE WITH THE ARCHITECT AND OR THE INTERIOR DESIGNER, AS WELL AS EQUIPMENT SUPPLIERS.
- ALL ELECTRONICS EQUIPMENT & ACCESSORIES THAT ARE EXPOSED OR LESS THAN 2.0m AWAY FROM WATER SOURCES SHALL BE OF WATERPROOF TYPE.
- COLOR FOR ALL TELECOMMUNICATION FACE PLATES SHALL BE AS PER ARCHITECT'S/INTERIOR DESIGNER'S SELECTION.
- SIZING OF ALL PULLBOXES SHALL BE COMPUTED BASED ON THE CODE REQUIREMENTS. SUBMIT SHOP DRAWINGS TO THE ENGINEER FOR APPROVAL PRIOR TO FABRICATION. LOCATION OF PULLBOXES SHALL BE AS APPROVED BY THE ARCHITECT/ENGINEER AND MUST BE REFLECTED ON THE "AS-BUILT" PLANS.
- MOUNTING HEIGHTS OF DEVICES (RJ-45 JACKS) SHALL BE AS APPROVED BY THE ARCHITECT OR AS FOLLOWS:
TELECOM/DATA OUTLET0.30m ABOVE FINISHED FLOOR TO CENTER OF DEVICE
0.15m ABOVE WORKING COUNTER TO CENTER OF DEVICE
- ALL ITEMS OF MATERIAL NOT FURNISHED BY REQUESTION AND REQUIRED TO COMPLETE THE INSTALLATION IN A GOOD, WORKMANLIKE MANNER SHALL BE PROVIDED BY THE IT CABLING CONTRACTOR.
- THE PLANS AS DRAWN ARE BASED UPON THE ARCHITECTURAL PLANS AND THE DETAILS AND SHOWN CONDITIONS AS ACCURATELY AS IT IS POSSIBLE TO INDICATE THEM IN SCALE. THE PLANS ARE DIAGRAMMATICAL AND DO NOT NECESSARILY SHOW ALL FITTINGS NECESSARY TO FIT TO THE BUILDING CONDITIONS. THE LOCATIONS OF OUTLETS, APPARATUS AND APPLIANCE SHOWN ON THE PLANS ARE APPROXIMATE. THE CONTRACTOR SHALL BE HELD RESPONSIBLE FOR THEIR PROPER LOCATION IN ORDER TO MAKE THEM FIT WITH THE ARCHITECTURAL DETAILS AND INSTRUCTIONS FROM THE ENGINEER'S REPRESENTATIVE AT THE SITE.
- UPON COMPLETION OF IT CABLING WORKS, THE FOLLOWING TESTS SHALL BE PERFORMED BY THE CONTRACTOR INCLUSIVE OF THE INSTALLATION TO BE REPORTED IN DETAILS AND IN FORMS APPROVED BY THE OWNERS REPRESENTATIVE:
A. SIGNAL ATTENUATION TEST
B. CONTINUITY TEST
C. NEAR-END CROSSTALK TEST
D. IMPEDANCE TEST
E. RESISTANCE TEST
F. WIRE MAP TEST

ABBREVIATIONS

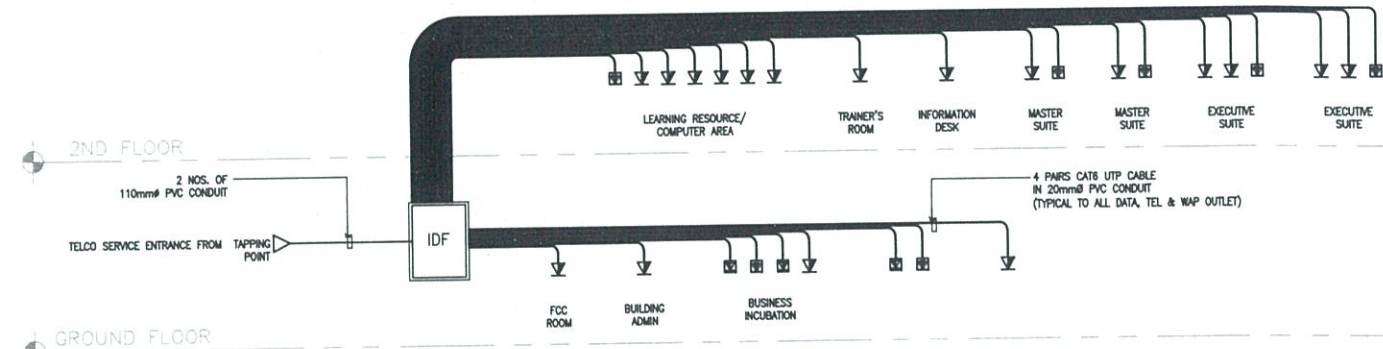
| | |
|------|---|
| ACP | ACCESS CONTROL PANEL |
| ACS | ACCESS CONTROL SYSTEM |
| BGM | BACKGROUND MUSIC |
| C | CONDUIT |
| CAT | CATEGORY |
| CDP | COMMUNICATION DISTRIBUTION PANEL |
| CATV | COMMUNITY ANTENNA TELEVISION |
| CCTV | CLOSED CIRCUIT TELEVISION |
| DC | DOOR CONTACT |
| DOL | DIRECT ON LINE |
| EMT | ELECTROMETALLIC TUBING |
| ELV | EXTRA LOW VOLTAGE |
| EVAC | EMERGENCY VOICE ALARM COMMUNICATION |
| FA | FIRE ALARM |
| FR | FIRE RATED |
| NVR | NETWORK VIDEO RECORDER |
| PVC | POLYVINYL CHLORIDE |
| PATB | PUBLIC ADDRESS TERMINAL BOARD |
| TEL | TELEPHONE |
| TTC | TELEPHONE TERMINAL CABINET |
| THHN | THERMOPLASTIC HEAT RESISTANT (90°C) WITH NYLON JACKET |
| FCC | FIRE COMMAND CENTER |
| FACP | FIRE ALARM CONTROL PANEL |
| FATB | FIRE ALARM TERMINAL BOARD |
| FDAS | FIRE ALARM AND DETECTION SYSTEM |
| IDF | INTERMEDIATE DISTRIBUTION FRAME |
| IMC | INTERMEDIATE METALLIC CONDUIT |
| NAP | NETWORK ACCESS POINT |
| ODF | OPTICAL DISTRIBUTION FRAME |
| PA | PUBLIC ADDRESS |
| RD | RISER DOWN |
| RU | RISER UP |
| RSC | RIGID STEEL CONDUIT |
| SMS | SECURITY MANAGEMENT SYSTEM |
| TX | TRANSFORMER |
| THW | THERMOPLASTIC HEAT AND MOISTURE RESISTANT |
| TYP | TYPICAL |
| UPS | UNINTERRUPTIBLE POWER SUPPLY |
| WP | WEATHER PROOF |
| FDB | FIBER DISTRIBUTION BOARD |

AUXILIARY SYSTEMS LEGEND AND SYMBOL

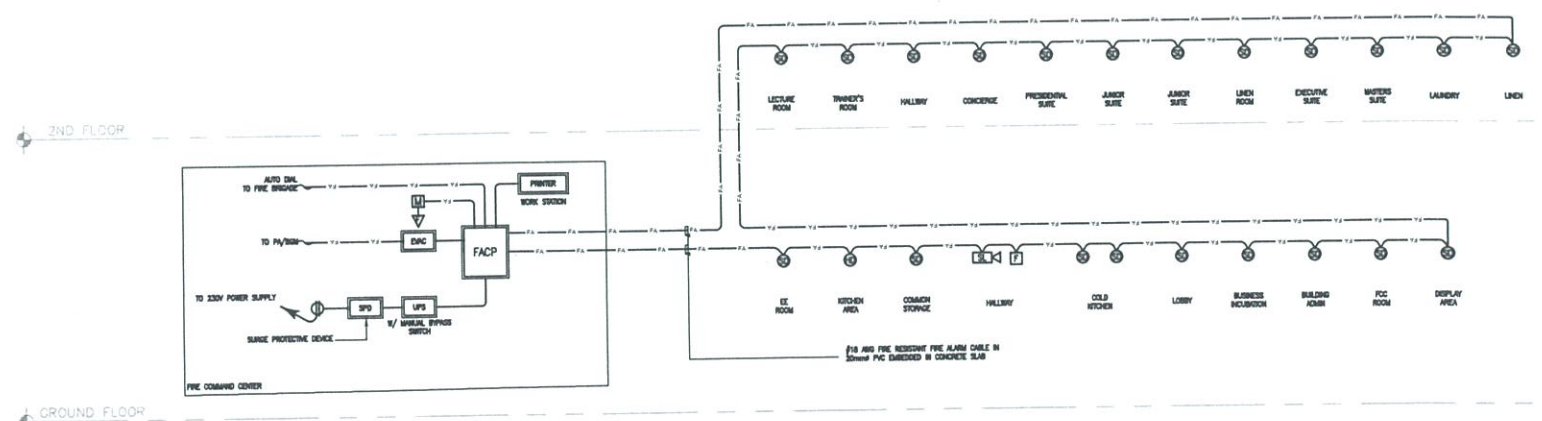
| SYMBOLS | DESCRIPTION |
|---------|--|
| | DOME-TYPE, IP-BASED CCTV CAMERA |
| | IP BASED CAMERA, FIXED TYPE, WEATHER PROOF |
| | VOICE/DATA OUTLET |
| | FLOOR MOUNTED VOICE/DATA OUTLET |
| | INPUT MODULE |
| | GROUND BAR |
| | SMOKE DETECTOR |
| | HEAT DETECTOR |
| | STROBE LIGHT WITH SOUNDER |
| | MANUAL PULL STATION |
| | FIREMAN'S TELEPHONE JACK |
| | HORN TYPE SPEAKER |
| | CEILING-MOUNTED SPEAKER |
| | INTERCOM UNIT |
| | FIRE ALARM CONTROL PANEL |
| | RISER UP/DOWN |
| | PA MICROPHONE |



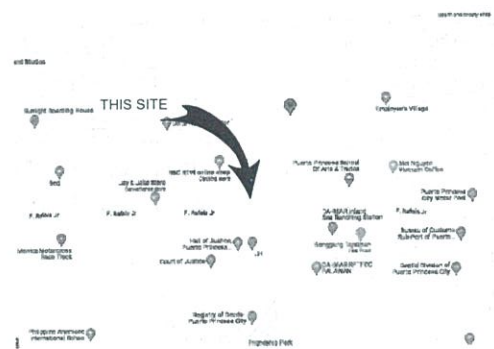
CCTV SINGLE LINE DIAGRAM
SCALE: NTS



VOICE/DATA SINGLE LINE DIAGRAM
SCALE: NTS



FDAS SINGLE LINE DIAGRAM
SCALE: NTS



LOCATION MAP
SCALE: NTS



VICINITY MAP
SCALE: NTS

FOR APPROVAL PLANS OF REGIONAL TVET INNOVATION CENTERS (RTICs) 2023

PROJECT OWNER:
TECHNICAL EDUCATION AND SKILLS DEVELOPMENT AUTHORITY
MAIN OFFICE ADDRESS: TESDA COMPLEX, East Service Road SLEX, Taguig City

PROJECT TITLE:
PROPOSED TESDA PPSAT INNOVATION CENTER
LOCATION: 30a, Monda, Puerto Princesa City, Palawan

ELECTRICAL ENGINEER:

ENGR. JOHN ADRIAN C. SANTOS
 PMU-SIPTVETS
 ENGINEERING SECTION

PROJECT MANAGER:

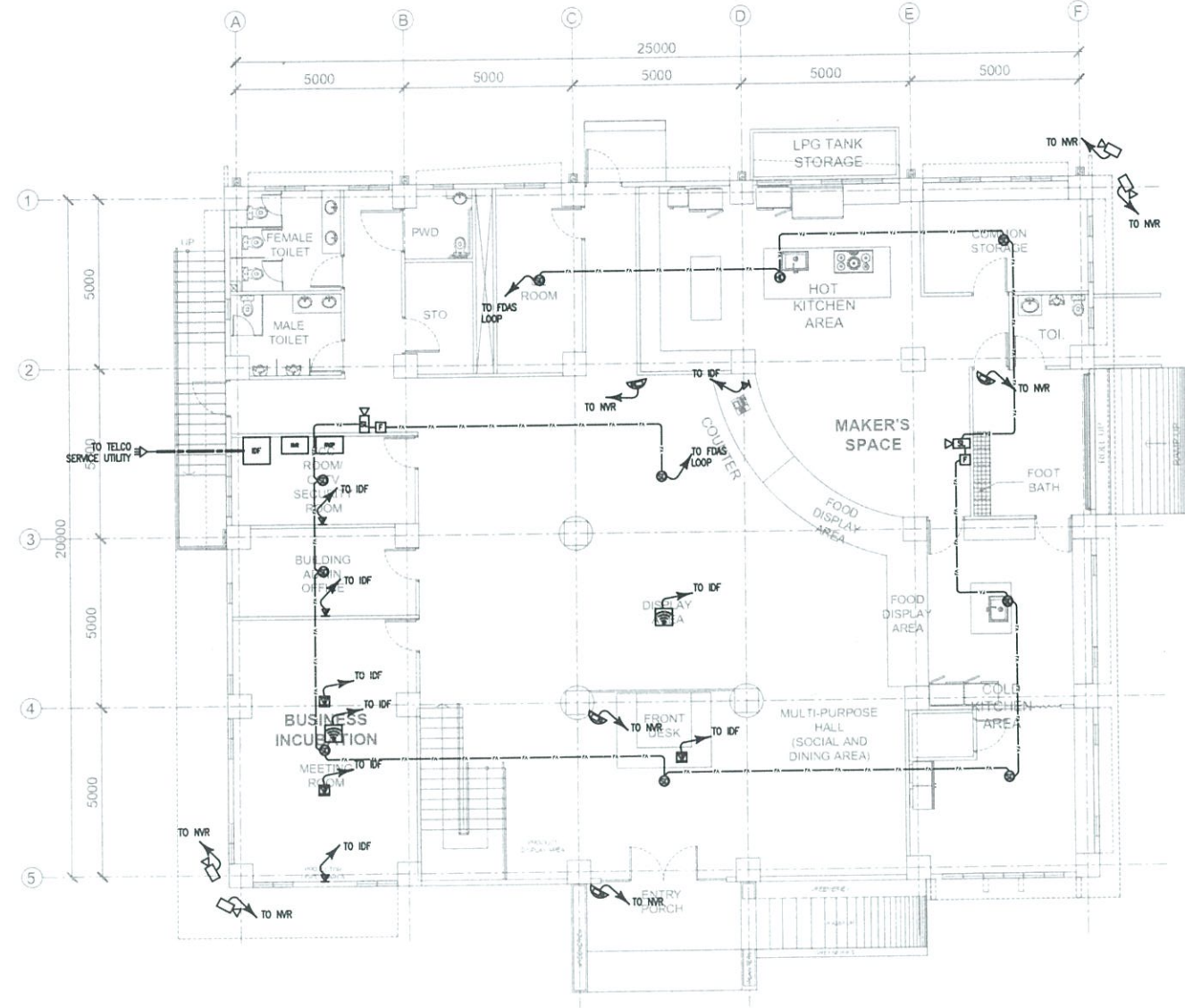
DIR. ENRICO C. BANARIO
 PMU-SIPTVETS

PROJECT DIRECTOR:

SEC. SUHARTO T. MANGUDATU, Ph.D.
 PMU-SIPTVETS

| | |
|---|--------------------------|
| SHEET CONTENTS: GENERAL NOTES ABBREVIATION LOCATION & VICINITY MAP CCTV SINGLE LINE DIAGRAM VOICE/DATA SINGLE LINE DIAGRAM | SHEET NO. EC-0 |
|---|--------------------------|

| LEGENDS AND SYMBOLS | |
|---------------------|----------------------------------|
| | SMOKE DETECTOR |
| | MANUAL PULL STATION |
| | STROBE LIGHT |
| | FIREMAN'S TELEPHONE JACK |
| | INPUT MODULE |
| | OUTPUT MODULE |
| | CEILING MOUNTED SPEAKER |
| | PA MICROPHONE |
| | RISER UP/DOWN |
| | FIXED TYPE, IP-BASED CCTV CAMERA |
| | DOME TYPE, IP-BASED CCTV CAMERA |
| | WALL MOUNTED, VOICE/DATA OUTLET |
| | FLOOR MOUNTED, VOICE/DATA OUTLET |
| | WIRELESS ACCESS POINT |



TESDA INNOVATION CENTER - PPSAT
GROUND FLOOR AUXILIARY LAYOUT

SCALE:

1: 200 mm

FOR APPROVAL PLANS OF
REGIONAL TVET INNOVATION
CENTERS (RTICs) 2023

PROJECT OWNER:
 TECHNICAL EDUCATION
AND
SKILLS DEVELOPMENT
AUTHORITY

MAIN OFFICE ADDRESS: TESDA COMPLEX, East Service Road SLEX, Taguig City

PROJECT TITLE:
PROPOSED TESDA PPSAT
INNOVATION CENTER

LOCATION: Sit. Marikina, Puerto Princesa City, Palawan

ELECTRICAL ENGINEER:

ENGR. JOHN ADRIAN C. SANTOS
PMU-SIPTVETS
ENGINEERING SECTION

PROJECT MANAGER:

DIR. ENRICO C. BANARIO
PMU-SIPTVETS

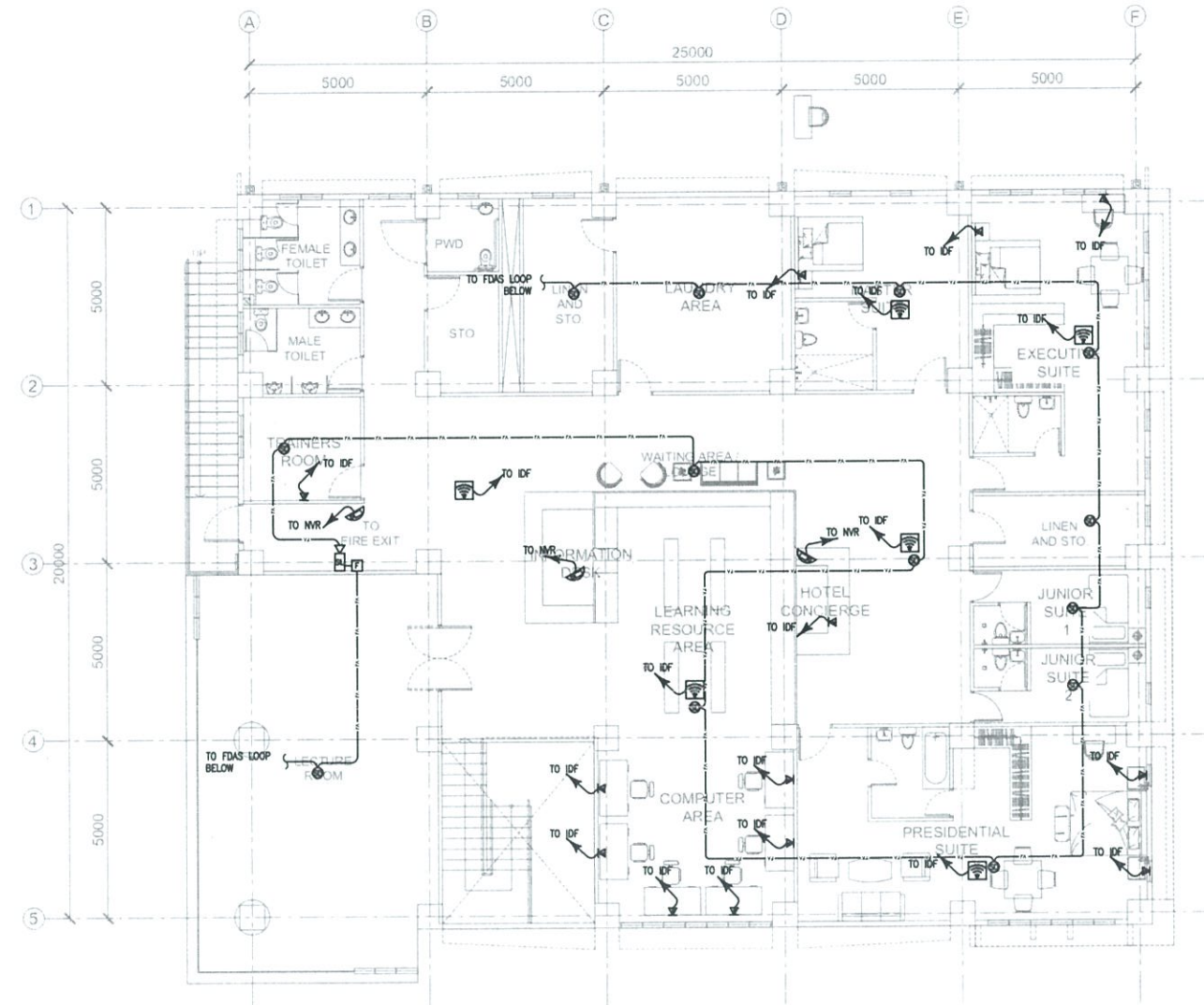
PROJECT DIRECTOR:

SEC. SUHARTO T. MANGUDATU, Ph.D.
PMU-SIPTVETS

SHEET CONTENTS:
GROUND FLOOR AUXILIARY LAYOUT

SHEET NO.
EC-1


| LEGENDS AND SYMBOLS | |
|---------------------|----------------------------------|
| | SMOKE DETECTOR |
| | MANUAL PULL STATION |
| | STROBE LIGHT |
| | FIREMAN'S TELEPHONE JACK |
| | INPUT MODULE |
| | OUTPUT MODULE |
| | CEILING MOUNTED SPEAKER |
| | PA MICROPHONE |
| | RISER UP/DOWN |
| | FIXED TYPE, IP-BASED CCTV CAMERA |
| | DOME TYPE, IP-BASED CCTV CAMERA |
| | WALL MOUNTED, VOICE/DATA OUTLET |
| | FLOOR MOUNTED, VOICE/DATA OUTLET |
| | WIRELESS ACCESS POINT |




TESDA INNOVATION CENTER - PPSAT
SECOND FLOOR AUXILIARY LAYOUT

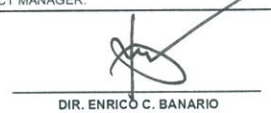
SCALE: 1: 200 mm

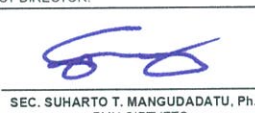
**FOR APPROVAL PLANS OF
 REGIONAL TVET INNOVATION
 CENTERS (RTICs) 2023**

PROJECT OWNER:
 **TECHNICAL EDUCATION
 AND
 SKILLS DEVELOPMENT
 AUTHORITY**
MAIN OFFICE ADDRESS: TESDA COMPLEX, East Service Road SLEX, Taguig City

PROJECT TITLE:
**PROPOSED TESDA PPSAT
 INNOVATION CENTER**
LOCATION: Sta. Monica, Puerto Princesa City, Palawan

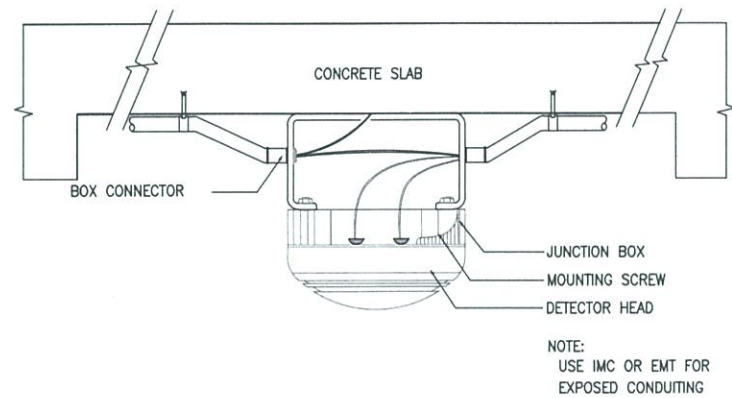
ELECTRICAL ENGINEER:

ENGR. JOHN ADRIAN C. SANTOS
 PMU-SIPTVETS
 ENGINEERING SECTION

PROJECT MANAGER:

DIR. ENRICO C. BANARIO
 PMU-SIPTVETS

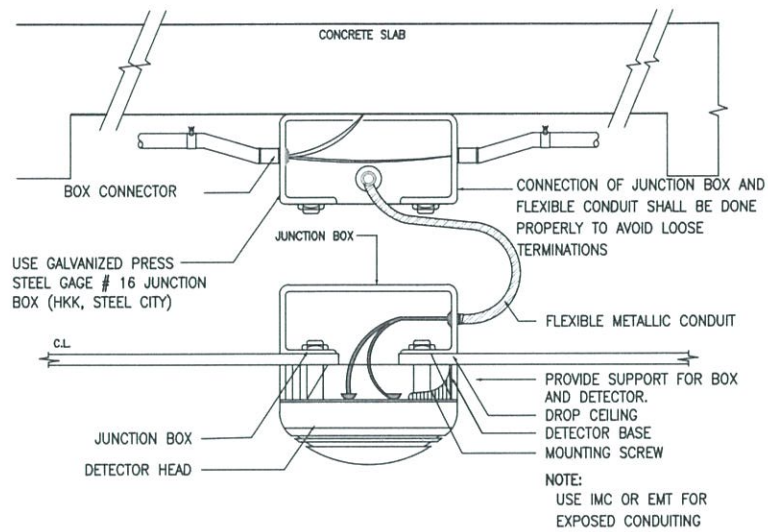
PROJECT DIRECTOR:

SEC. SUHARTO T. MANGUDATU, Ph.D.
 PMU-SIPTVETS

SHEET CONTENTS:
 2ND FLOOR AUXILIARY LAYOUT

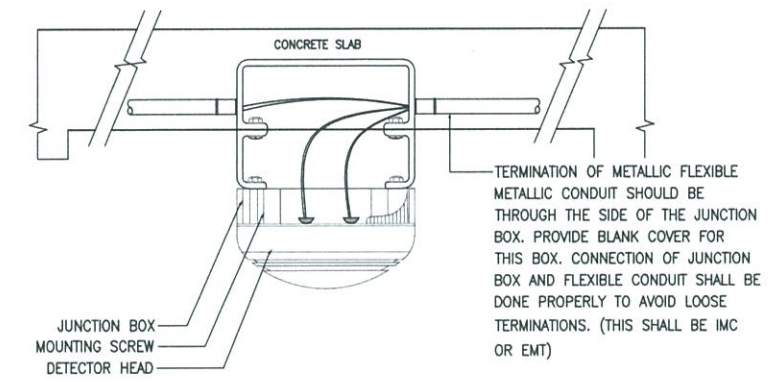
SHEET NO.
EC-2



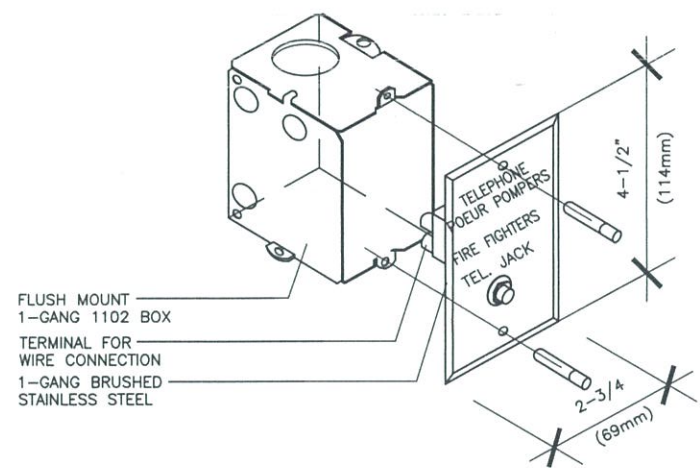
SMOKE DETECTOR MOUNTING DETAIL ON CONCRETE WITH EXPOSED CONDUITS
SCALE: _____ NTS



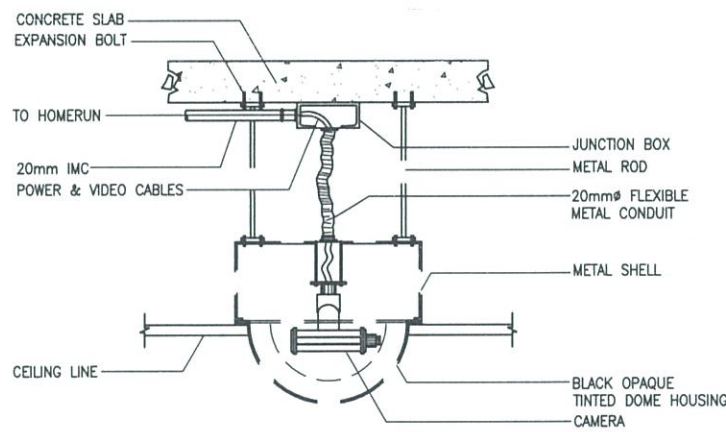
SMOKE DETECTOR MOUNTING DETAIL ON DROP CEILING WITH EXPOSED CONDUITS
SCALE: _____ NTS



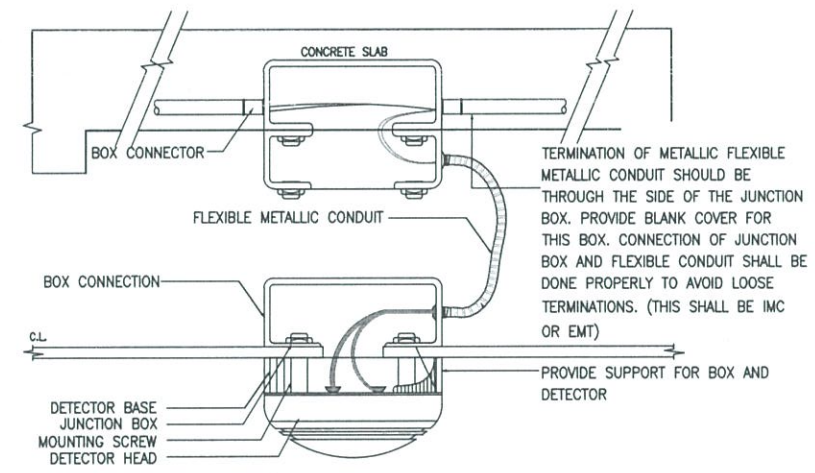
SMOKE DETECTOR MOUNTING DETAIL ON CONCRETE WITH EMBEDDED CONDUITS
SCALE: _____ NTS



FIREMAN'S TELEPHONE JACK MOUNTING DETAIL
SCALE: _____ NTS




TYPICAL CAMERA MOUNTING DETAIL
SCALE: _____ NTS





SMOKE DETECTOR MOUNTING DETAIL ON DROP CEILING WITH EMBEDDED CONDUITS
SCALE: _____ NTS

FOR APPROVAL PLANS OF REGIONAL TVET INNOVATION CENTERS (RTICs) 2023

PROJECT OWNER:

TECHNICAL EDUCATION AND SKILLS DEVELOPMENT AUTHORITY
MAIN OFFICE ADDRESS: TESDA COMPLEX, East Service Road SLEX, Taguig City

PROJECT TITLE:
PROPOSED TESDA PPSAT INNOVATION CENTER
LOCATION: Sta. Monica, Puerto Princesa City, Palawan

ELECTRICAL ENGINEER:

ENGR. JOHN ADRIAN G. SANTOS
 PMU-SIPTVETS
 ENGINEERING SECTION

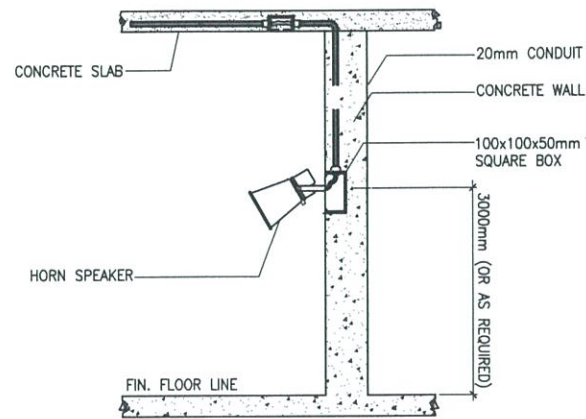
PROJECT MANAGER:

DIR. ENRICO C. BANARIO
 PMU-SIPTVETS

PROJECT DIRECTOR:

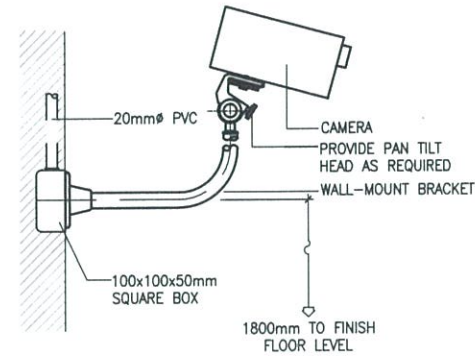
SEC. SUHARTO T. MANGUDADATU, Ph.D.
 PMU-SIPTVETS

SHEET CONTENTS:
 MISCELLANEOUS DETAILS

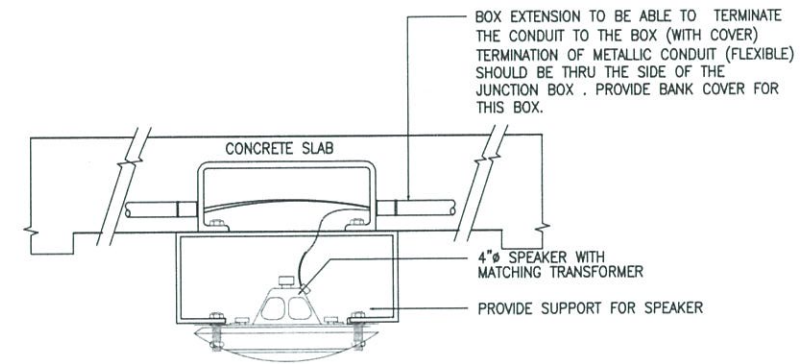
SHEET NO.
EC-5



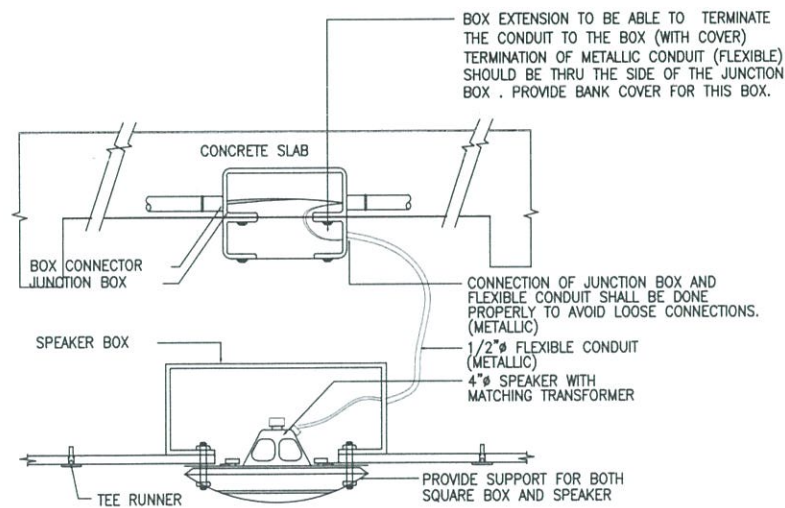
WALL MOUNTED HORN SPEAKER MOUNTING DETAIL
SCALE: _____ NTS



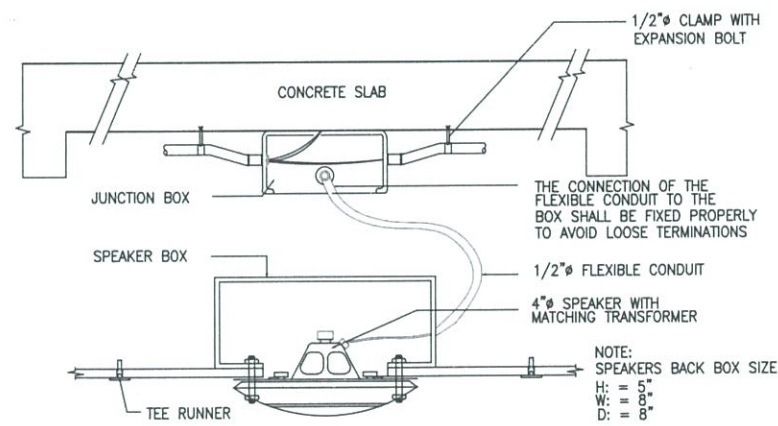
WALL MOUNTED CCTV MOUNTING DETAIL
SCALE: _____ NTS



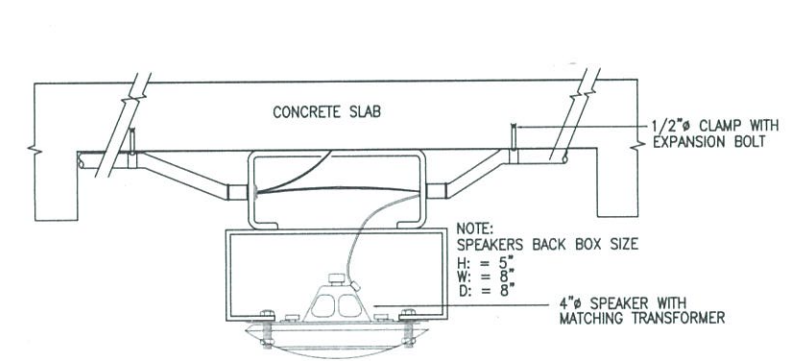
SPEAKER MOUNTING DETAIL ON CONCRETE WITH EMBEDDED CONDUITS
SCALE: _____ NTS



SPEAKER MOUNTING DETAIL ON DROP CEILING WITH EMBEDDED CONDUITS
SCALE: _____ NTS




SPEAKER MOUNTING DETAIL ON DROP CEILING WITH EXPOSED CONDUITS
SCALE: _____ NTS





SPEAKER MOUNTING DETAIL ON CONCRETE WITH EXPOSED CONDUITS
SCALE: _____ NTS


FOR APPROVAL PLANS OF REGIONAL TVET INNOVATION CENTERS (RTICs) 2023

PROJECT OWNER:
 TECHNICAL EDUCATION AND SKILLS DEVELOPMENT AUTHORITY

PROJECT TITLE:
PROPOSED TESDA PPSAT INNOVATION CENTER

ELECTRICAL ENGINEER:

ENGR. JOHN ADRIAN C. SANTOS
PMU-SIPTVETS
ENGINEERING SECTION

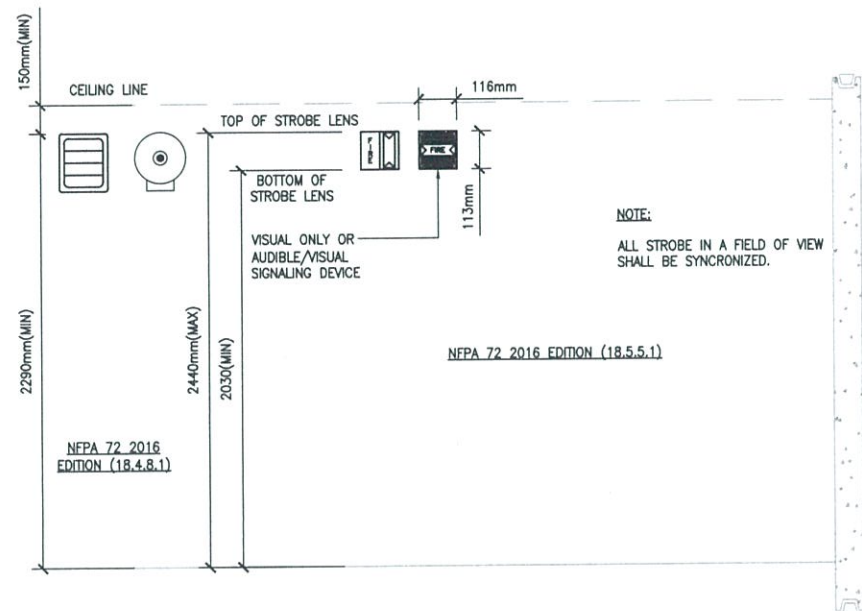
PROJECT MANAGER:

DIR. ENRICO C. BANARIO
PMU-SIPTVETS

PROJECT DIRECTOR:

SEC. SUHARTO T. MANGUDATU, Ph.D.
PMU-SIPTVETS

SHEET CONTENTS:
MISCELLANEOUS DETAILS

SHEET NO.

EC-6



NFPA 72 2016 EDITION (18.4): AUDIBLE CHARACTERISTICS

NFPA 72 2016 EDITION (18.4.8): LOCATION OF AUDIBLE NOTIFICATION APPLIANCES FOR BUILDING OR STRUCTURES.

NFPA 72 2016 EDITION (18.4.8.1): IF CEILING HEIGHTS ALLOW, AND UNLESS OTHERWISE PERMITTED BY 18.4.8.2 THROUGH 18.4.8.5, WALL-MOUNTED APPLIANCES SHALL HAVE THEIR TOPS ABOVE THE FINISHED FLOORS AT HEIGHTS OF NOT LESS THAN 2290mm(90in.) AND BELOW THE FINISHED CEILING AT DISTANCES OF NOT LESS THAN 150mm(6in.)

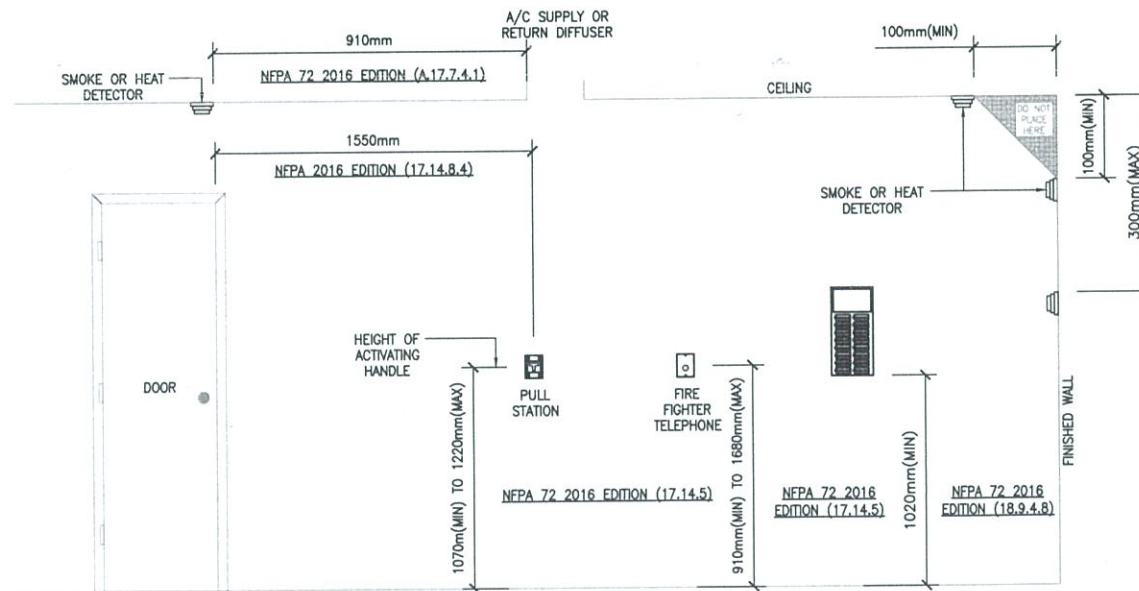
NFPA 72 2016 EDITION (18.4.8.3): IF COMBINATION AUDIBLE/VISIBLE APPLIANCES ARE INSTALLED, THE LOCATION OF THE APPLIANCE SHALL BE DETERMINED BY THE REQUIREMENTS OF 18.5.5

NFPA 72 2016 EDITION (18.5): VISIBLE CHARACTERISTICS PUBLIC MODE.

NFPA 72 2016 EDITION (18.5.5): APPLIANCES LOCATION.

NFPA 72 2016 EDITION (18.5.5.1): WALL MOUNTED APPLIANCES SHALL BE MOUNTED SUCH THAT THE ENTIRE LENS IS NOT LESS THAN 2030mm (80in) AND NOT GREATER THAN 2440mm (96in). ABOVE THE FINISHED FLOOR OR AT THE MOUNTING HEIGHT SPECIFIED USING THE PERFORMANCE BASED ALTERNATIVE, AT NFPA 2016 EDITION (A7.5.4.5).

NFPA 72 2016 EDITION (18.5.5.5.5): VISIBLE NOTIFICATION APPLIANCES SHALL BE LOCATED NOT MORE THAN 4570mm(15ft.) FROM THE END OF THE CORRIDOR WITH A SEPARATION NOT GREATER THAN 30500mm(100ft) BETWEEN APPLIANCES.



NFPA 72 2016 EDITION 17.6.3.1.3.1 HEAT -- UNLESS OTHERWISE MODIFIED BY 17.6.3.2.2 OR 17.6.3.3.2 OR 17.6.3.7 SPOT-TYPE HEAT-SENSING FIRE DETECTORS SHALL BE LOCATED ON THE CEILING NOT LESS THAN 100mm (4in) FROM THE SIDEWALL OR ON THE SIDEWALLS BETWEEN 100mm AND 300mm (4in. AND 12 in.) FROM THE CEILING.

NFPA 72 2016 EDITION (A.17.7.4.1): DETECTORS SHOULD NOT BE LOCATED IN A DIRECT AIRFLOW OR CLOSER THAN 910mm(36in.) FROM AN AIR SUPPLY DIFFUSER OR RETURN AIR OPENING. SUPPLY OR RETURN SOURCES LARGER THAN THOSE COMMONLY FOUND IN RESIDENTIAL AND SMALL COMMERCIAL ESTABLISHMENT CAN BE REQUIRE GREATER CLEARANCE TO SMOKE DETECTORS.

NFPA 72 2016 EDITION (17.14.8.4): MANUAL FIRE ALARM BOXES SHALL BE LOCATED WITHIN 1.5m (5ft.) OF EACH EXIT DOORWAY ON EACH FLOOR.

NFPA 72 2016 EDITION (17.14.5): THE OPERABLE PART OF A MANUALLY ACTIVATED ALARM INITIATING DEVICE SHALL BE NOT LESS THAN 42in. (1070mm) AND NOT MORE THAN 48in. (1220mm) FROM THE FINISHED FLOOR.

NFPA 72 2016 EDITION (17.7.3.2.1): SPOT-TYPE SMOKE DETECTORS SHALL BE LOCATED ON THE CEILING OR, IF ON A SIDEWALL, BETWEEN THE CEILING AND 12in. (300mm) DOWN FROM THE CEILING TO THE TOP OF DETECTOR.

NFPA 72 2016 EDITION (24.8.17): WALL MOUNTED TELEPHONE APPLIANCES OR RELATED JACKS SHALL BE NOT LESS THAN 910mm(36in.) AND NOT MORE THAN 1680mm(66in.) ABOVE FLOOR LEVEL WITH CLEAR ACCESS TO THE APPLIANCE THAT IS AT LEAST 760mm(30in.) WIDE.

NFPA 72 2016 EDITION (18.9.4.8*): ALL CHARACTERS AND GRAPHICAL VISIBLE NOTIFICATION APPLIANCES SHALL BE A MINIMUM OF 1020mm(40in.) ABOVE THE GROUND OR FINISHED FLOOR.

NFPA 72 2016 EDITION (18.11): STANDARD EMERGENCY SERVICE INTERFACE, WHERE REQUIRED BY THE ENFORCING AUTHORITY; GOVERNING LAWS, CODES, OR STANDARDS; OR OTHER PARTS OF THIS CODE, ANNUNCIATORS, INFORMATION DISPLAY SYSTEMS, AND CONTROL FOR PORTIONS OF A SYSTEM PROVIDED FOR USE BY EMERGENCY SERVICE PERSONNEL SHALL BE DESIGNED, ARRANGED, AND LOCATED IN ACCORDANCE WITH THE REQUIREMENTS OF THE ORGANIZATIONS INTENDED TO USE THE EQUIPMENT.

FIRE ALARM SYSTEM DEVICE MOUNTING HEIGHTS AND LIMITATIONS
SCALE: NTS

FOR APPROVAL PLANS OF REGIONAL TVET INNOVATION CENTERS (RTICs) 2023

PROJECT OWNER: TECHNICAL EDUCATION AND SKILLS DEVELOPMENT AUTHORITY

PROJECT TITLE: PROPOSED TESDA PPSAT INNOVATION CENTER

ELECTRICAL ENGINEER: ENGR. JOHN DOMINIC SANTOS, PMU-SIPTVETS, ENGINEERING SECTION

PROJECT MANAGER: DIR. ENRICO C. BANARIO, PMU-SIPTVETS

PROJECT DIRECTOR: SEC. SUHARTO T. MANGUDADATU, Ph.D., PMU-SIPTVETS

SHEET CONTENTS: FIRE ALARM SYSTEM DEVICE MOUNTING HEIGHTS AND LIMITATIONS

SHEET NO. EC-5

GENERAL PLUMBING NOTES:

- GENERAL NOTES ARE APPLICABLE TO ALL PLUMBING WORKING DRAWINGS
- THE WORK SHALL BE EXECUTED IN STRICT CONFORMITY WITH BASE BUILDING SPECIFICATION AND WITH THE LATEST EDITION OF CONFLICT BETWEEN THE CONTRACT DOCUMENTS AND COVERING CODE OR ORDINANCE THE MORE STRINGENT STANDARD SHALL APPLY.
- ALL PLUMBING WORK SHALL BE COORDINATED WITH ALL OTHER TRADES BEFORE PROCEEDING WITH INSTALLATION.
- NO CHARGES ARE TO BE MADE IN PLUMBING LAYOUT WITHOUT WRITTEN PERMISSION BY THE ENGINEER OR RECORDS/MASTER PLUMBER.
- NO PIPING SHALL RUN EXPOSED IN SALES OR FINISHED AREA.
- PLUMBING CONTRACTOR SHALL BE RESPONSIBLE FOR OBTAINING ALL NECESSARY PERMITS AND FOR PAYING RELATED FEES.
- ROUGH-IN DIMENSIONS OF TOILET FIXTURES MUST BE COORDINATED WITH GENERAL CONTRACTOR AND FIELD SUPERVISOR.
- INSTALL GATE VALVES/ BALL VALVES ON ALL BRANCH SUPPLY LINES.
- PROVIDE ACCESS PANELS ON ALL INACCESSIBLE VALVES AND CLEANOUTS. ACCESS PANELS SHALL BE PROVIDED BY GENERAL CONTRACTOR. PLUMBING CONTRACTOR SHALL BE RESPONSIBLE FOR THEIR LOCATION.
- ALL WORK SHALL BE PROPERLY TESTED, BALANCED AND CLEANED. PROVIDE ONE YEAR WARRANTY FROM DATE OF FINAL INSPECTION ON ALL PARTS AND LABOR.
- ALL FIXTURES TO BE SUPPLIED & INSTALLED BY PLUMBING CONTRACTOR.
- GENERAL CONTRACTOR SHALL COORDINATE WATER METER LOCATION AND INSTALLATION WITH LOCAL AUTHORITIES AND CIVIL DRAWINGS.
- TRAP SEAL PRIMERS ARE TO BE PROVIDED AT NO ADDITIONAL COST TO OWNER/ CLIENT , IF REQUIRED BY LOCAL BUILDING CODE OFFICIALS.
- ALL VENT PIPE SHALL BE EXHAUST OVER THE CEILING OF ROOF OVERHANG. NO VENT SHALL EXTENDED THRU ROOF.
- APPLY A BEAD OF SEALANT AROUND ALL FIXTURES WHERE THEY MEET FLOORS, WALLS, ETC. PROVIDE PIPE SLEEVES AT ANY WALL/ FLOOR PENETRATION.
- THESE DRAWINGS ARE SCHEMATIC IN NATURE AND REPRESENT ONLY THE GENERAL AND APPROXIMATE LOCATIONS OF FIXTURES, PIPING, ETC. REFER TO THE ARCHITECTURAL PLANS AND ACTUAL CONDITIONS FOR LOCATING FIXTURES, ETC.
- THAT ALL WATER SUPPLIES TO FIXTURES ARE ANCHORED TO PREVENT ANY LATERAL MOVEMENT.
- SUPPORT ALL PIPING EQUIPMENT , ETC AS PER CODE REQUIREMENTS.
- REFER TO ARCHITECTURAL PLANS FOR MOUNTING HEIGHTS OF PLUMBING.
- FURNISH AS REQUIRED FOR ALL FIXTURES, INCLUDING ONES FURNISHED BY OTHERS, P-TRAPS, ANGLE STOPS, RISERS, ESCUTCHEONS, ETC.
- EACH CONTRACTOR SHALL BE RESPONSIBLE FOR VISITING THE SITE PRIOR TO BIDDING IN ORDER TO BECOME FAMILIAR WITH EXISTING CONDITIONS AND DISCREPANCIES OR QUESTIONS SHALL BE BROUGHT TO THE ATTENTION OF THE ARCHITECT PRIOR TO BIDDING.
- CONTRACTOR SHALL BE RESPONSIBLE FOR DETERMINING RIGHT OR LEFT HAND OR FIXTURES.
- ALL PENETRATIONS OF CONCRETE FOUNDATIONS & FOOTINGS SHALL BE MINIMUM OF 50MM DIAMETER.
- ALL SANITARY SEWER PIPING UNDER CONCRETE SLAB SHALL BE MINIMUM OF 50MM DIAMETER.
- REFER TO ARCHITECTURAL SPECIFICATIONS FOR SOIL COMPACTING, CONCRETE AND ASPHALT REPAIR.
- SUBMIT SHOP DRAWINGS ON ALL PLUMBING FIXTURES, SEE ARCHITECTURAL FOR QUANTITY.
- USE POLYPROPYLENE FOR ALL WATER SUPPLY LINES.
- USE POLYVINYL CHLORIDE (PVC) SERIES 1000 FOR ALL DRAINAGE LINE, OBSERVE SLOPE OF 1% FOR LONG RUNNING DRAINAGE LINE AND SLOPE OF 2% FOR SHORT RUN DRAINAGE LINE, VERIFY.

GENERAL PLUMBING NOTES:

- ALL PLUMBING WORKS INCLUDED HEREIN SHALL BE EXECUTED ACCORDING TO THE REQUIREMENTS OF THE PHILIPPINE PLUMBING CODE AND RULES AND REGULATIONS OF THE GOVERNMENT.
- COORDINATE DRAWINGS WITH OTHER RELATED DRAWINGS AND SPECIFICATIONS.
- THE ENGINEER SHALL BE NOTIFIED IMMEDIATELY OF ANY DISCREPANCY FOUND THEREIN.
- PIPES SHALL BE INSTALLED AS INDICATED, ANY RELOCATION REQUIRED FOR PROPER EXECUTION OF OTHER TRADES SHALL BE PIPE STRUCTURE.
- ALL HORIZONTAL BRANCHES SHALL MAINTAIN 1% AS MINIMUM UNLESS NOTED OTHERWISE.
- ALL FIXTURES SHALL VENTED, UNLESS INDICATED.
- ALL INDIVIDUAL BRANCHES TO FIXTURES OR GROUP OF FIXTURES OR EQUIPMENT SHALL BE PROVIDED WITH AIR CHAMBER.

MATERIAL SPECIFICATIONS:

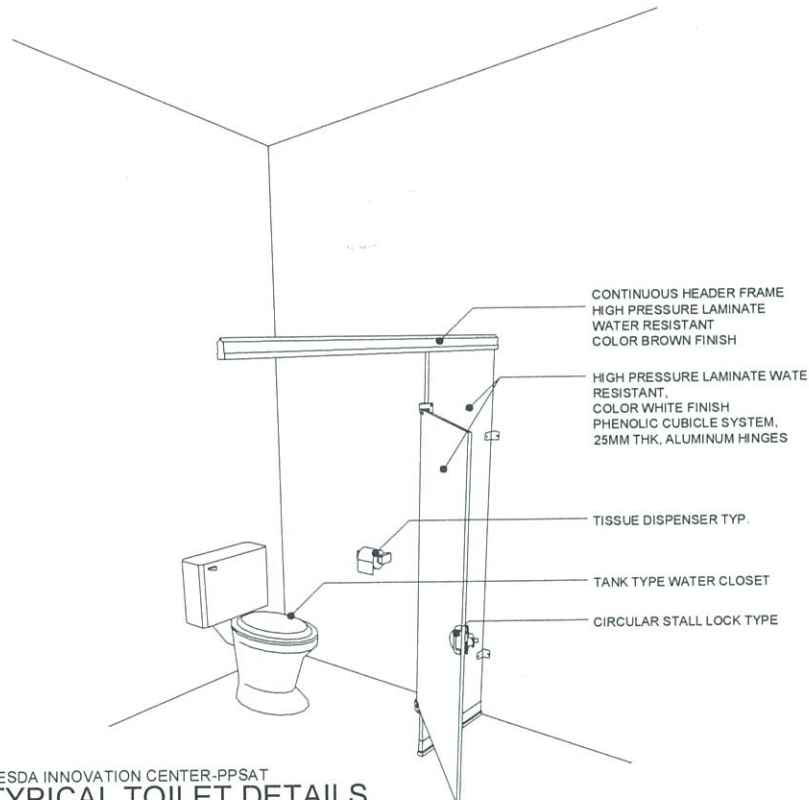
COLD WATER LINE (INTERIOR) - SHALL BE POLYPROPYLENE RANDOM (TYPE 3) HIGH RESISTANCE TO PRESSURE AND TEMPERATURE, CONFORMING TO EN ISO 15874, SIMILAR TO GEORGE FISCHER PP-R PIPE, UNITEC PP-R PIPE OR APPROVED EQUAL.

COLD WATER LINE (EXPOSED) - SHALL BE GALVANIZED STEEL PIPE, SCHEDULE 40, CONFORMING TO ASTM A 53 A 120. SIMILAR TO APO PIPE SCHEDULE 40 OR APPROVED EQUAL.

SOIL, WASTE AND VENT LINES- SHALL BE UNPLASTICIZED POLYVINYL CHLORIDE (UPVC) PIPE CONFIRMING TO ASTM D2729, SIMILAR TO NELTEX SERIES 100 UPVC PIPE OR APPROVED EQUAL.

DOWNSPOUTS- SHALL BE UNPLASTICIZED POLYVINYL CHLORIDE (UPVC) PIPE CONFIRMING TO ASTM D2729. SIMILAR TO NELTEX/ EMERALD/ MOLDEX SERIES 100 UPVC PIPE OR APPROVED EQUAL.

DRAINAGE LINE- SHALL BE UNPLASTICIZED POLYVINYL CHLORIDE (UPVC) PIPE CONFIRMING TO ASTM D2729, SIMILAR TO NELTEX/EMERALD/ MOLDEX SERIES 100 UPVC PIPE OR APPROVED EQUAL.



TESDA INNOVATION CENTER-PPSAT
TYPICAL TOILET DETAILS
SCALE: 1:200mm

| LEGEND | | ABBREVIATION | |
|--------------|----------------|--------------|----------------------------------|
| ----- | SANITARY LINE | LAV | LAVATORY |
| ----- | WATER LINE | KS | KITCHEN SINK |
| ----- | DRAINAGE LINE | VAC | VENT ABOVE CEILING |
| ----- | VENT PIPE | VP | VENT PIPE |
| ----- | GATE VALVE | VTR/VTC | VENT THRU ROOF/VENT THRU CEILING |
| ----- | CHECK VALVE | SS | SOIL STACK/ WASTE PIPE |
| ----- | WATER METER | AAV | AIR ADMITTANCE VALVE |
| ----- | FLOOR CLEANOUT | PVC | POLYVINYL CHLORIDE |
| ∅ | DIAMETER | CWL | COLD WATER LINE |
| ABBREVIATION | | FD | FLOOR DRAIN |
| | | SH | SHOWER HEAD |
| AC | AIR CHAMBER | DD | DECK DRAIN |
| WC | WATER CLOSET | BD | BALCONY DRAIN |
| URI | URINAL | mm | MILLIMETER |

| PLUMBING FIXTURES CONNECTION SIZE SCHEDULE | | | | | | |
|--|----------------------|---------------------------------------|------|-------|------------|-------------|
| LEGEND | SYMBOL | MIN. PIPE CONNECTION SIZE MM DIAMETER | | | | REMARKS |
| | | WASTE/ SOIL | VENT | STORM | COLD WATER | |
| WC | WATER CLOSET | 100 | 50 | - | 20 | TANK TYPE |
| LAV | LAVATORY | 50 | 50 | - | 20 | - |
| KS | KITCHEN SINK | 50 | 50 | - | 20 | - |
| SHO/ SD | SHOWER/ SHOWER DRAIN | 50 | 50 | - | 20 | - |
| FD | FLOOR DRAIN | 50 | 50 | - | - | WITH P-TRAP |
| HB | HOSE BIBB | - | - | - | 20 | - |

| SPECIFICATION | | |
|--------------------------|--------------------------|-------------|
| ITEMS | MATERIAL | THICKNESS |
| WASTE/ SEWAGE LINE | POLYVINYL CHLORIDE (PVC) | SERIES 1000 |
| VENT PIPES | POLYVINYL CHLORIDE (PVC) | SERIES 1000 |
| STORM DRAINAGE LINE (DS) | POLYVINYL CHLORIDE (PVC) | SERIES 1000 |
| RAINWATER COLLECTOR | POLYVINYL CHLORIDE (PVC) | SERIES 1000 |
| WATERLINE (HOT/COLD) | PPR-C | PN 10 |

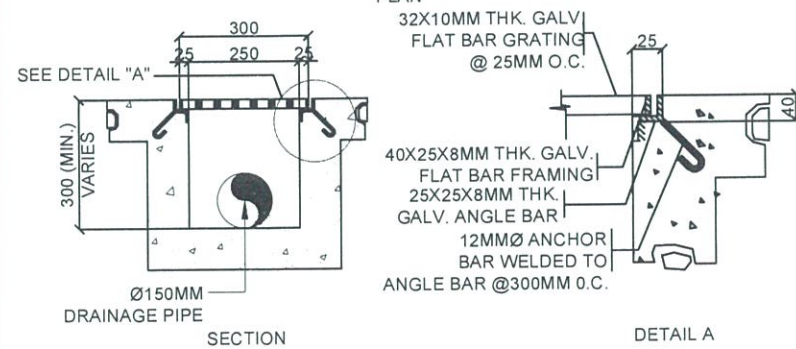
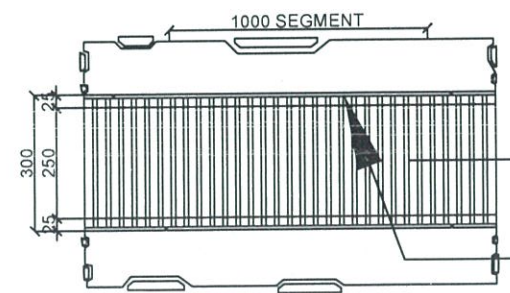
FOR APPROVAL PLANS OF REGIONAL TVET INNOVATION CENTERS (RTICs) 2023

| | | | | | | | |
|--|---|---|--|--|--|---------------------------------------|-----------------------------|
| <p>TECHNICAL EDUCATION AND SKILLS DEVELOPMENT AUTHORITY</p> <p>MAIN OFFICE ADDRESS: TESDA COMPLEX, East Service Road SLEX, Taguig City</p> | <p>PROJECT OWNER</p> <p>PROPOSED TESDA PPSAT INNOVATION CENTER</p> <p>LOCATION: STA. MONICA, PUERTO PRINCESA, PALAWAN</p> | <p>PREPARED & CADD BY:</p> <p>AR. KUNIEA MENDOZA HEAD, PMU-SIPTVETS ENGINEERING SECTION</p> | <p>MASTER PLUMBER:</p> <p>ENGR. FRANCISCO B. NARAG ASSISTANT PROFESSOR IV TESDA ISAT</p> | <p>PROJECT MANAGER:</p> <p>DIR. ENRICO C. BANARIO PMU-SIPTVETS</p> | <p>PROJECT DIRECTOR:</p> <p>SEC. SUHARTO T. MANGUDADATU, Ph.D. PMU-SIPTVETS SECRETARY, TESDA</p> | <p>SHEET CONTENTS</p> <p>AS SHOWN</p> | <p>SHEET NO.</p> <p>P-1</p> |
| | <p>FOR APPROVAL PLANS OF REGIONAL TVET INNOVATION CENTERS (RTICs) 2023</p> | | | | | | |

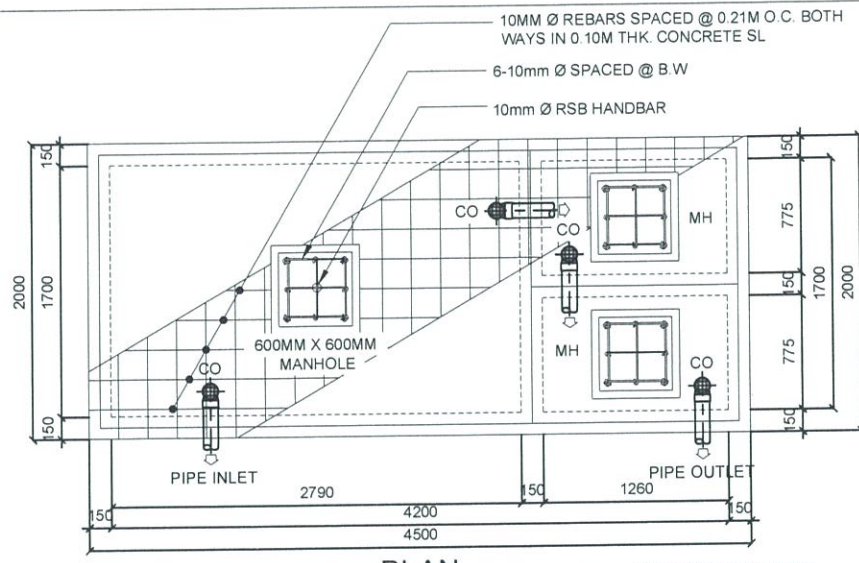
| PIPE SIZE (MM) | FLAT BAR | | ROUND BAR (MM) |
|----------------|------------|------------|----------------|
| | LOWER (MM) | UPPER (MM) | |
| 65 | 4.8 x 32 | 4.8 x 32 | 12.7 |
| 80 | 4.8 x 32 | 4.8 x 32 | 12.7 |
| 100 | 4.8 x 32 | 6.4 x 32 | 15.9 |
| 150 | 4.8 x 32 | 6.4 x 32 | 19 |
| 200 | 4.8 x 32 | 6.4 x 32 | 25.4 |

| PIPE SIZE (MM) | ROD SIZE (MM) | SIZE OF STEEL FLAT BAR (MM) | PIPE SIZE (MM) | ROD SIZE (MM) | SIZE OF STEEL FLAT BAR (MM) |
|----------------|---------------|-----------------------------|----------------|---------------|-----------------------------|
| 15 | 10 | 3.2x25 | 65 | 12 | 5x32 |
| 20 | 10 | 3.2x25 | 80 | 12 | 5x32 |
| 25 | 10 | 3.2x25 | 100 | 16 | 5x32 |
| 32 | 10 | 3.2x25 | 125 | 16 | 5x32 |
| 40 | 10 | 3.2x25 | 150 | 20 | 5x40 |
| 50 | 10 | 3.2x25 | 200 | 22 | 5x50 |

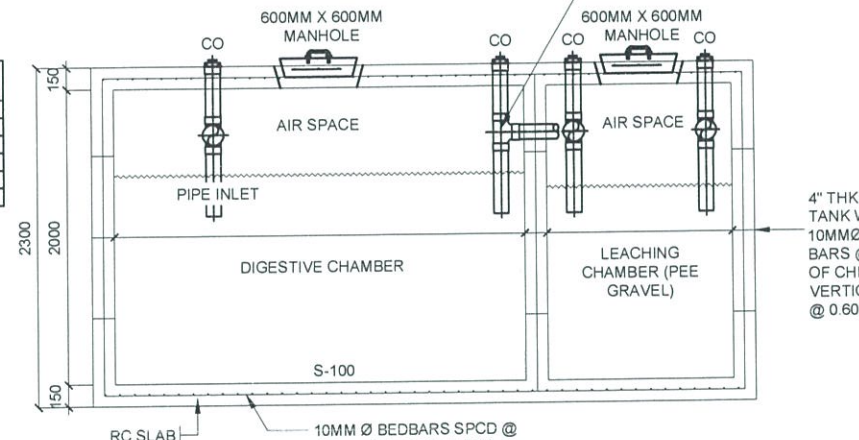
TESDA INNOVATION CENTER-PPSAT
DETAIL OF HANGERS
SCALE: 1:20mm



TESDA INNOVATION CENTER-PPSAT
CANAL DETAIL
SCALE: 1:20mm

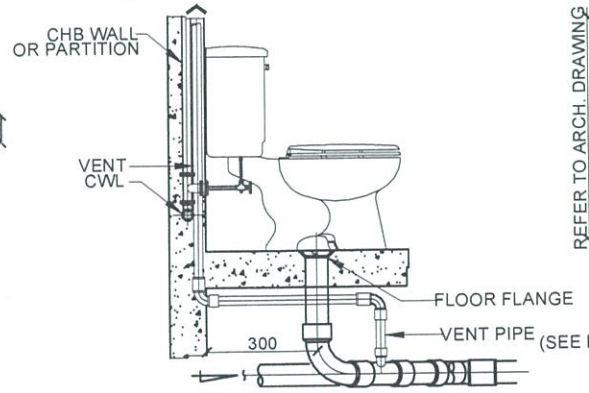


PLAN

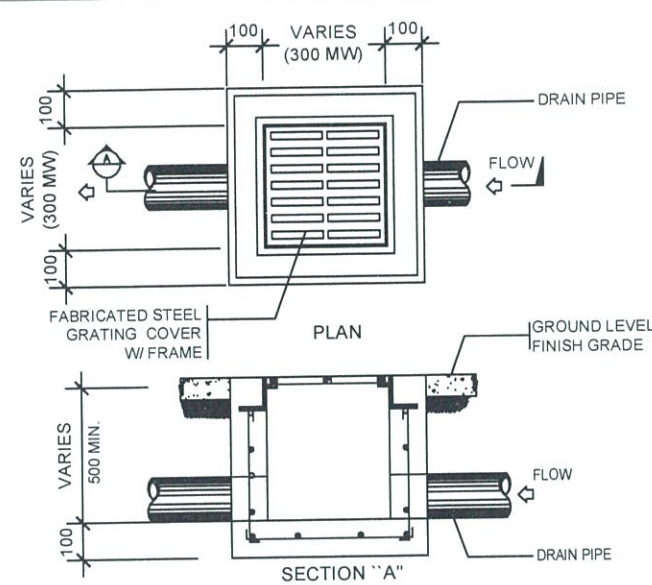


SECTION

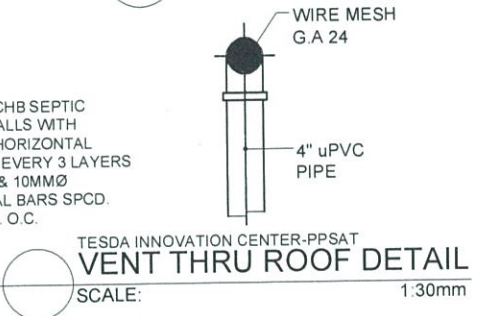
TESDA INNOVATION CENTER-PPSAT
SEPTIC TANK DETAILS
SCALE: 1:60mm



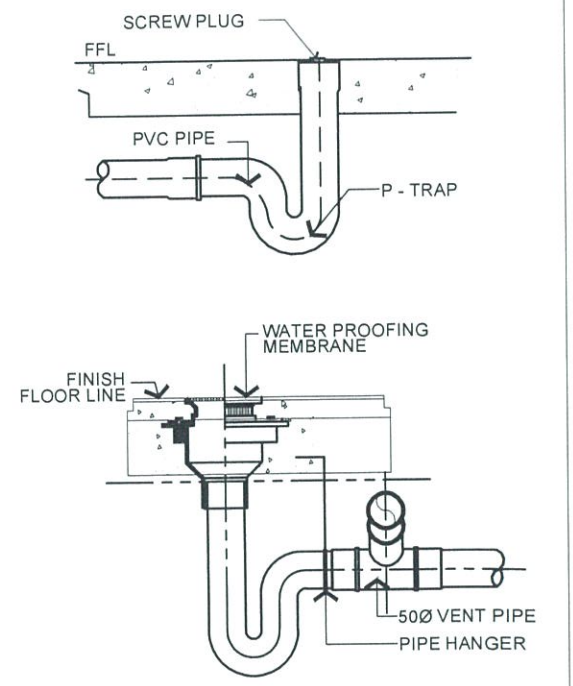
TESDA INNOVATION CENTER-PPSAT
CONNECTION DETAIL OF FIXTURES
SCALE: 1:20mm



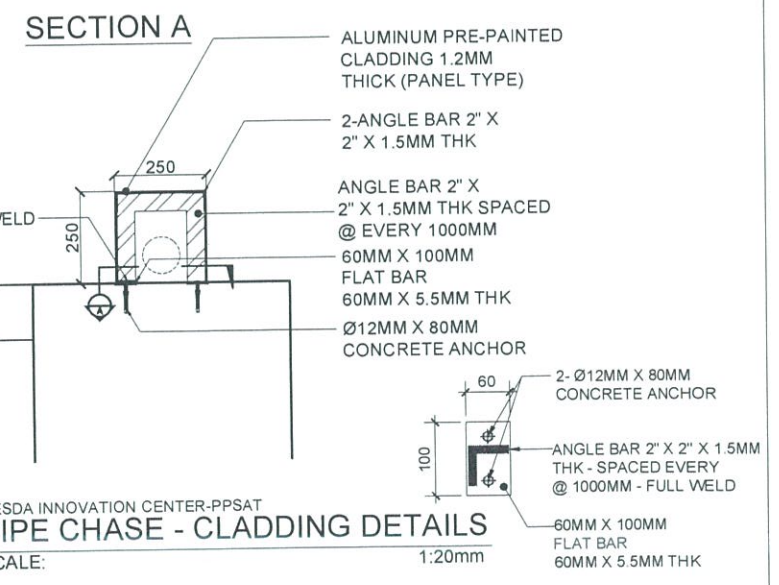
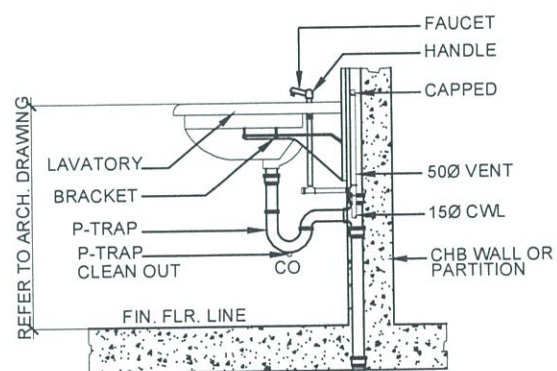
TESDA INNOVATION CENTER-PPSAT
CATCH BASIN DETAILS
SCALE: 1:30mm



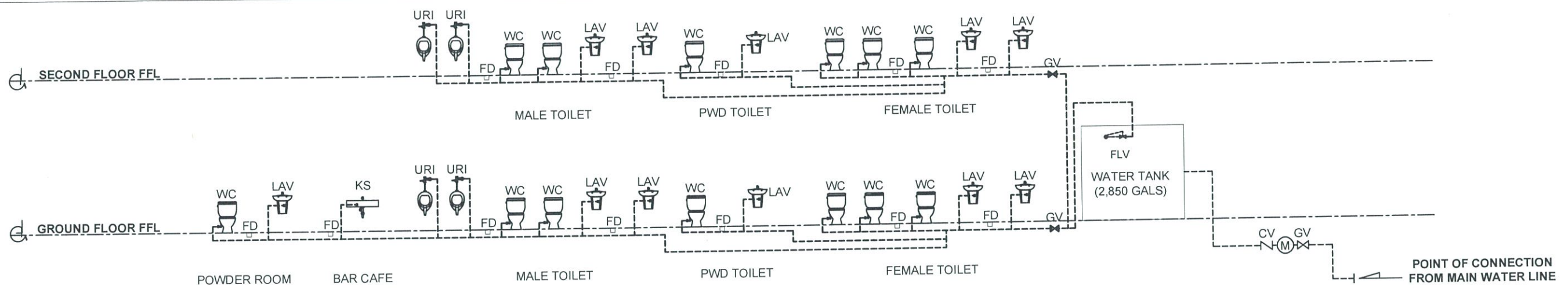
TESDA INNOVATION CENTER-PPSAT
VENT THRU ROOF DETAIL
SCALE: 1:30mm



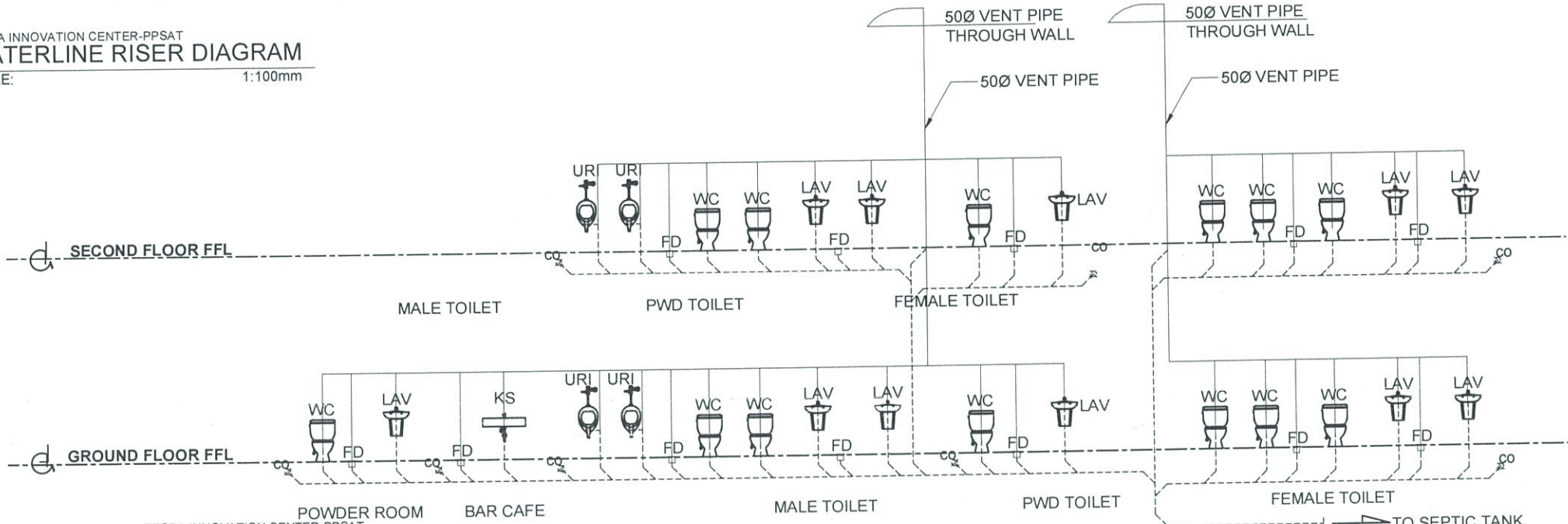
TESDA INNOVATION CENTER-PPSAT
DETAIL OF CLEAN OUT AND DRAIN
SCALE: 1:30mm



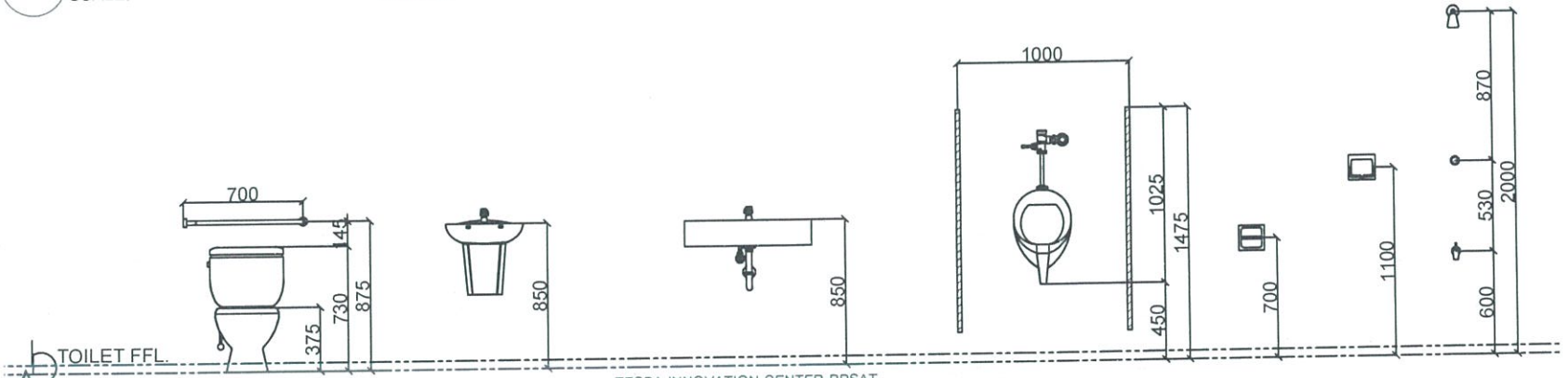
TESDA INNOVATION CENTER-PPSAT
PIPE CHASE - CLADDING DETAILS
SCALE: 1:20mm



TESDA INNOVATION CENTER-PPSAT
WATERLINE RISER DIAGRAM
 SCALE: 1:100mm




TESDA INNOVATION CENTER-PPSAT
SANITARY RISER DIAGRAM
 SCALE: 1:100mm





TESDA INNOVATION CENTER-PPSAT
PLUMBING FIXTURES HEIGHT
 SCALE: 1:40mm


**FOR APPROVAL PLANS OF
 REGIONAL TVET INNOVATION
 CENTERS (RTICs) 2023**


PROJECT OWNER

**TECHNICAL EDUCATION
 AND
 SKILLS DEVELOPMENT
 AUTHORITY**
MAIN OFFICE ADDRESS: TESDA COMPLEX, 5th Floor, Rizal Bldg., Taguig City

PROJECT TITLE:
**PROPOSED TESDA PPSAT
 INNOVATION CENTER**
LOCATION: STA. MONICA, PUERTO PRINCESA, PALAWAN

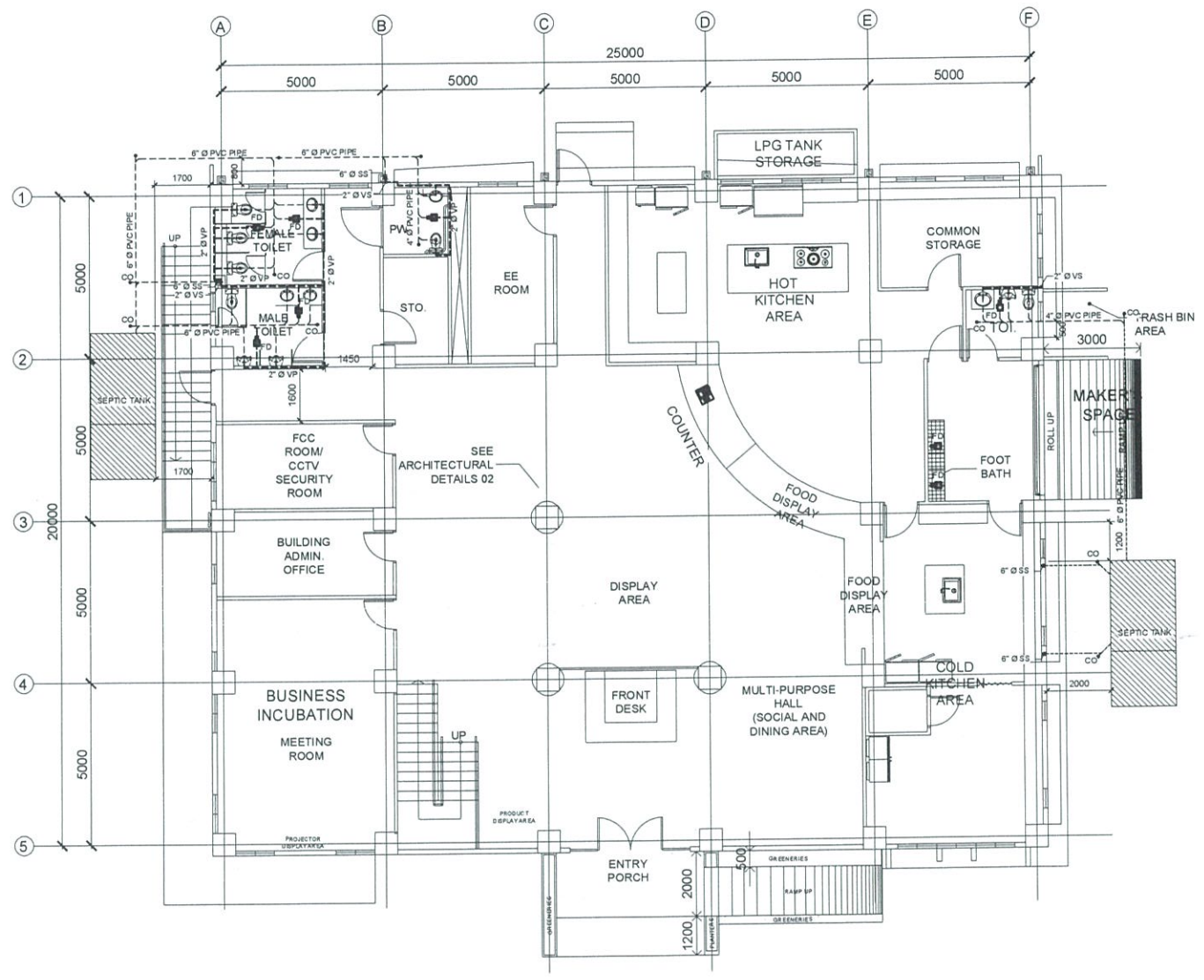
PREPARED & CADD BY:

AR. BUNICA M. MOZA
 HEAD, PMU-SIPTVETS
 ENGINEERING SECTION

MASTER PLUMBER:

ENGR. FRANCISCO B. NARAG
 ASSISTANT PROFESSOR IV
 TESDA ISAT

PROJECT MANAGER:

DIR. ENRICO C. BANARIO
 PMU-SIPTVETS

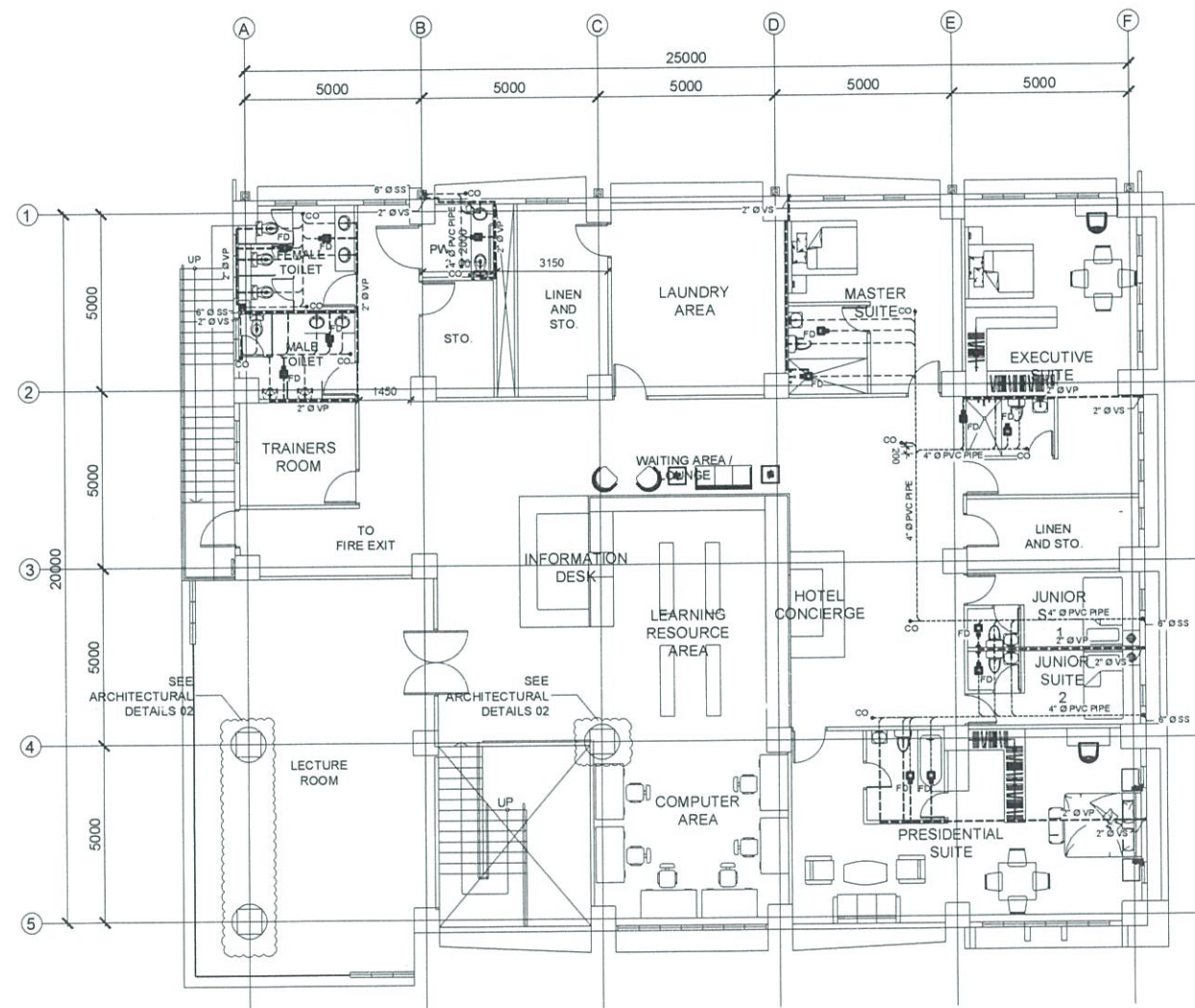
PROJECT DIRECTOR:

SEC. SUHARTO T. MANGUDADATU, Ph.D.
 PMU-SIPTVETS
 SECRETARY, TESDA

| SHEET CONTENTS | SHEET NO. |
|----------------|------------|
| AS SHOWN | P-3 |



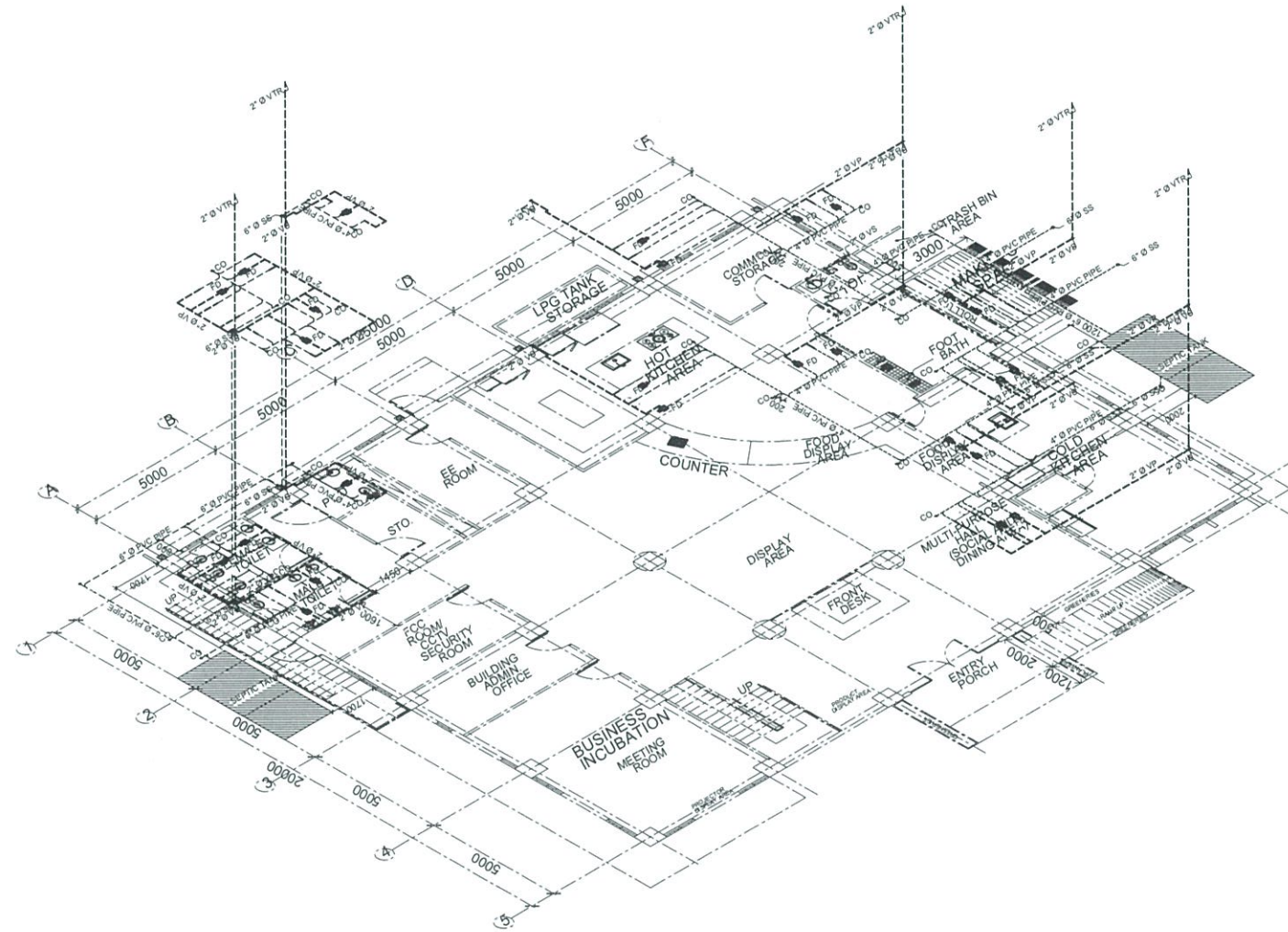
P
**TESDA INNOVATION CENTER-PPSAT
GROUND FLOOR SANITARY LAYOUT**
 SCALE 1:200MTS

| | | | | | | | | |
|--|--|--|---|---|--|---|----------------------------|-------------------------|
| FOR APPROVAL PLANS OF REGIONAL TVET INNOVATION CENTERS (RTICs) 2023 | PROJECT OWNER TECHNICAL EDUCATION AND SKILLS DEVELOPMENT AUTHORITY | PROJECT TITLE PROPOSED TESDA PPSAT INNOVATION CENTER | PREPARED & CADD BY AR. RANIEL A. MENDOZA HEAD, PMU-SIPTVETS ENGINEERING SECTION | MASTER PLUMBER ENGR. FRANCISCO B. NARAG ASSISTANT PROFESSOR IV TESDA ISAT | PROJECT MANAGER DIR. ENRICO C. BANARIO PMU-SIPTVETS | PROJECT DIRECTOR SEC. SUHARTO T. MANGUDATU, Ph.D. PMU-SIPTVETS SECRETARY, TESDA | SHEET CONTENTS AS SHOWN | SHEET NO. P-4 |
| | MAIN OFFICE ADDRESS: TESDA COMPLEX, East Service Road BLEX, Taguig City | | LOCATION: STA. MONICA, PUERTO PRINCESA, PALAWAN | | | | | |



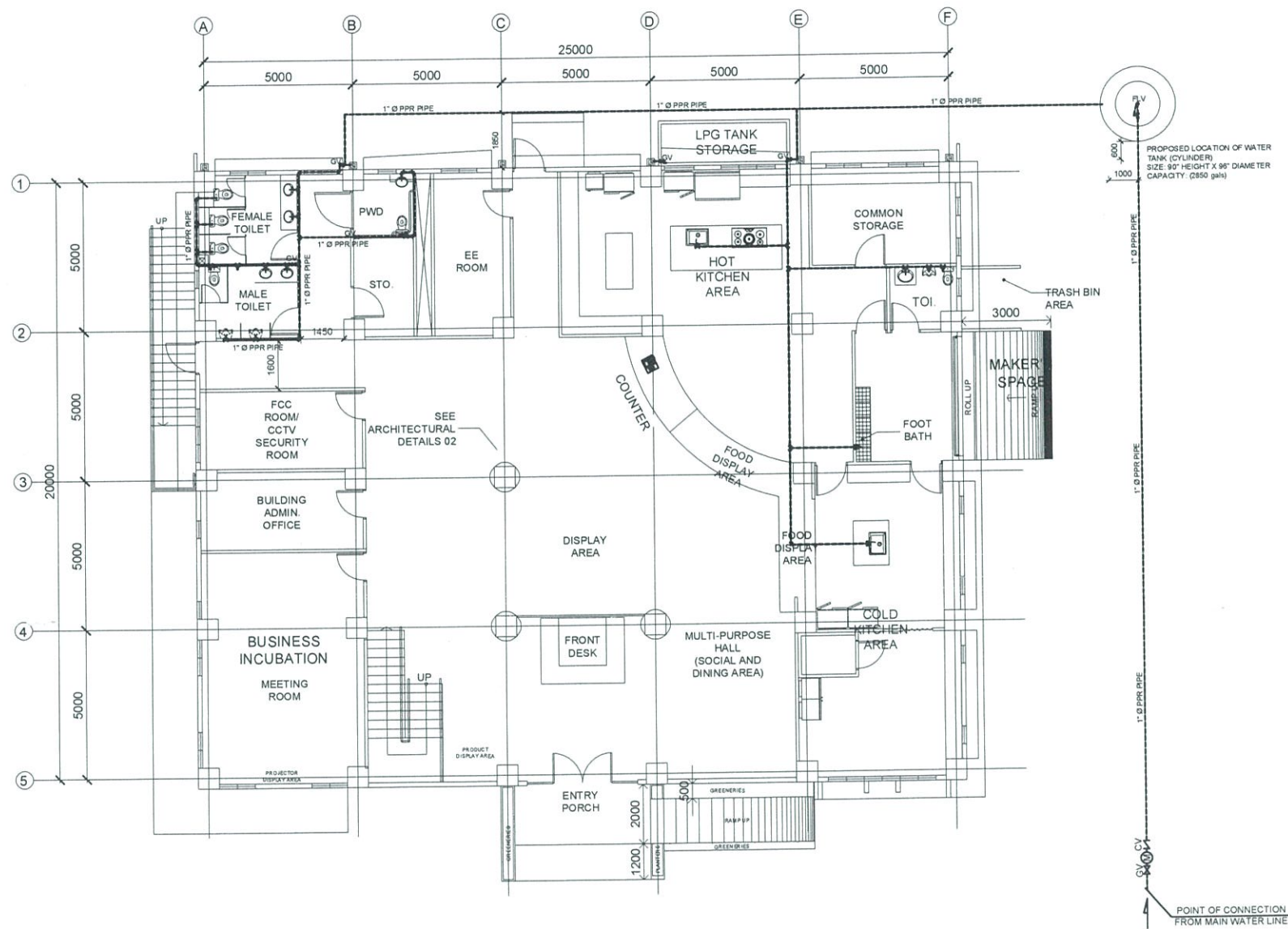
P
**TESDA INNOVATION CENTER-PPSAT
SECOND FLOOR SANITARY LAYOUT**
 SCALE 1:200MTS

| | | | | | | | | |
|--|--|--|---|---|--|---|----------------------------|-----------------------------|
| FOR APPROVAL PLANS OF REGIONAL TVET INNOVATION CENTERS (RTICs) 2023 | PROJECT OWNER TECHNICAL EDUCATION AND SKILLS DEVELOPMENT AUTHORITY | PROJECT TITLE PROPOSED TESDA PPSAT INNOVATION CENTER | PREPARED & CADD BY: AR. RUIEL A. MENDOZA HEAD, PMU-SIPTVETS ENGINEERING SECTION | MASTER PLUMBER ENGR. FRANCISCO B. NARAG ASSISTANT PROFESSOR IV TESDA ISAT | PROJECT MANAGER DIR. ENRICO C. BANARIO PMU-SIPTVETS | PROJECT DIRECTOR SEC. SUHARTO T. MANGUDADATU, Ph.D. PMU-SIPTVETS SECRETARY, TESDA | SHEET CONTENTS AS SHOWN | SHEET NO. P-5 |
| | MAIN OFFICE ADDRESS: TESDA COMPLEX, Earl Service Road SLEX, Taguig City | | LOCATION: STA. MONICA, PUERTO PRINCESA, PALAWAN | | | | | |








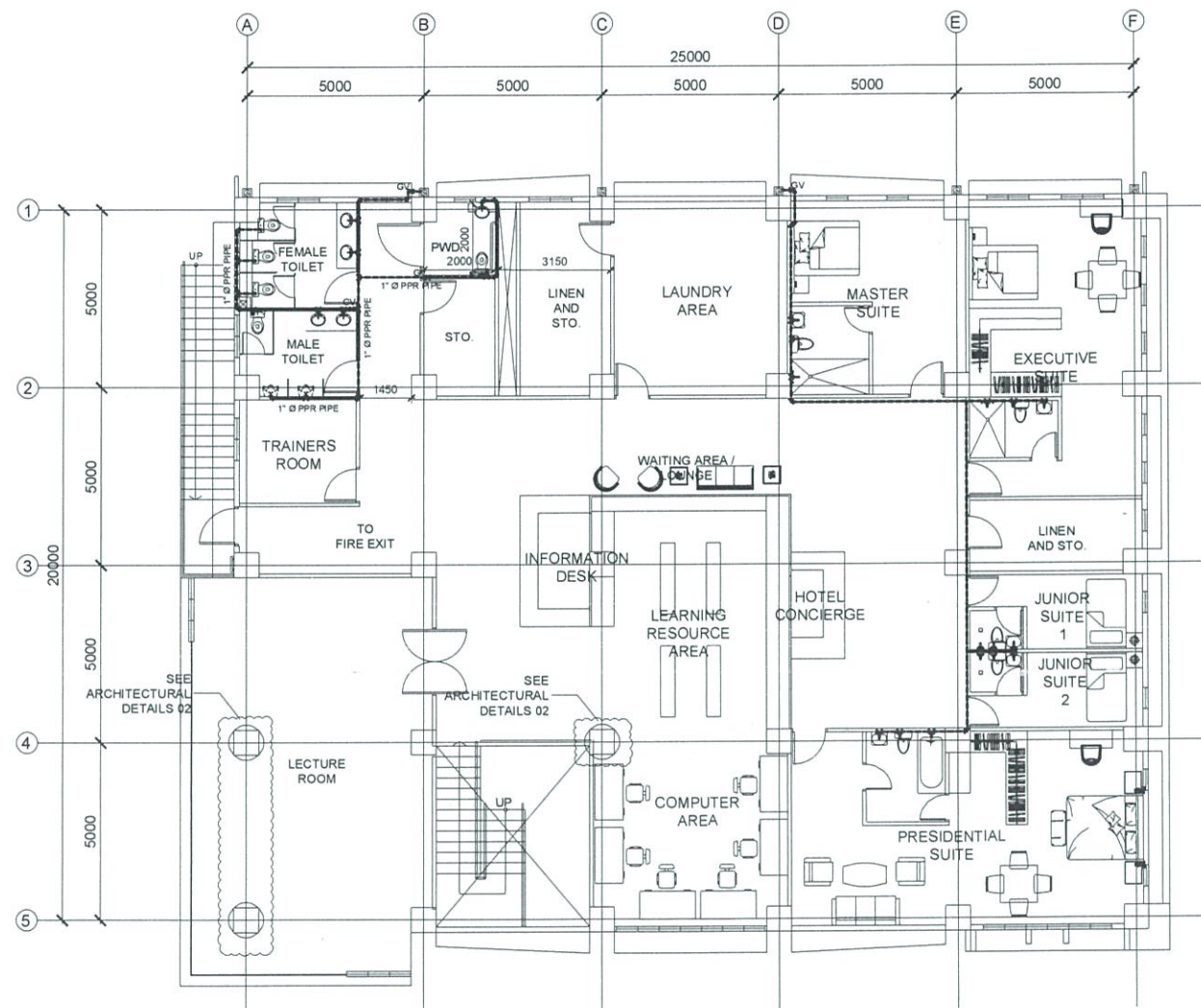
P
**TESDA INNOVATION CENTER-PPSAT
SANITARY ISOMETRIC LAYOUT**
 SCALE 1:200MTS

| | | | | | | | | |
|--|---|---|--|--|---|--|---|---|
| FOR APPROVAL PLANS OF REGIONAL TVET INNOVATION CENTERS (RTICs) 2023 | <small>PROJECT OWNER</small> TECHNICAL EDUCATION AND SKILLS DEVELOPMENT AUTHORITY | <small>PROJECT TITLE</small> PROPOSED TESDA PPSAT INNOVATION CENTER | <small>PREPARED & CADD BY:</small> <small>AR RUIEL A. MENDOZA HEAD, MUNICIPALITYS ENGINEERING SECTION</small> | <small>MASTER PLUMBER</small> <small>ENGR. FRANCISCO B. NARAG ASSISTANT PROFESSOR IV TESDA ISAT</small> | <small>PROJECT MANAGER:</small> <small>DIR. ENRICO C. BANARIO PMU-SIPTVETS</small> | <small>PROJECT DIRECTOR</small> <small>SEC. SUHARTO T. MANGUDADATU, Ph.D. PMU-SIPTVETS SECRETARY, TESDA</small> | <small>SHEET CONTENTS</small> AS SHOWN | <small>SHEET NO.</small> P- 6 |
| | <small>MAIN OFFICE ADDRESS: TESDA COMPLEX, East Service Road SLEX, Taguig City</small> | | <small>LOCATION: STA. MONICA, PUERTO PRICESA, PALAWAN</small> | | | | | |



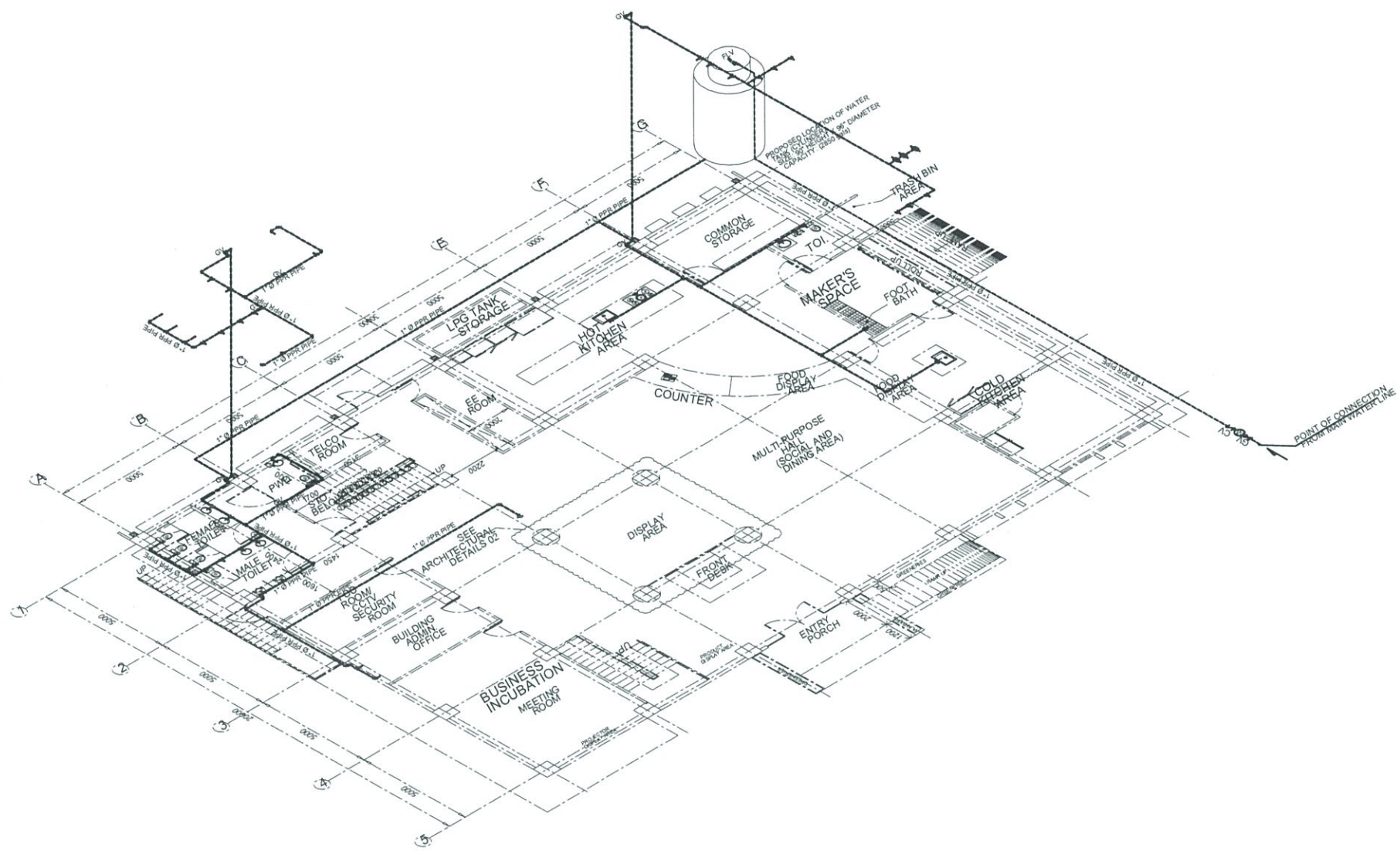
P TESDA INNOVATION CENTER-PPSAT
GROUND FLOOR WATER LINE LAYOUT
 SCALE 1:200MTS

| | | | | | | | | |
|--|---|--|---|---|---|---|-----------------------------------|-------------------------------|
| FOR APPROVAL PLANS OF REGIONAL TVET INNOVATION CENTERS (RTICs) 2023 | PROJECT OWNER  TECHNICAL EDUCATION AND SKILLS DEVELOPMENT AUTHORITY | PROJECT TITLE PROPOSED TESDA PPSAT INNOVATION CENTER | PREPARED & CADD BY  AR. RUVIEL M. MENDOZA HEAD, PMU-SIPTVETS ENGINEERING SECTION | MASTER PLUMBER  ENGR. FRANCISCO B. NARAG ASSISTANT PROFESSOR IV TESDA ISAT | PROJECT MANAGER  DIR. ENRICO C. BANARIO PMU-SIPTVETS | PROJECT DIRECTOR  SEC. SUHARTO T. MANGUDADATU, Ph.D. PMU-SIPTVETS SECRETARY, TESDA | SHEET CONTENTS AS SHOWN | SHEET NO P-7 |
| | <small>MAIN OFFICE ADDRESS: TESDA COMPLEX, East Service Road SLEX, Taguig City</small> | | <small>LOCATION: STA MONICA, PUERTO PRINCESA, PALAWAN</small> | | | | | |



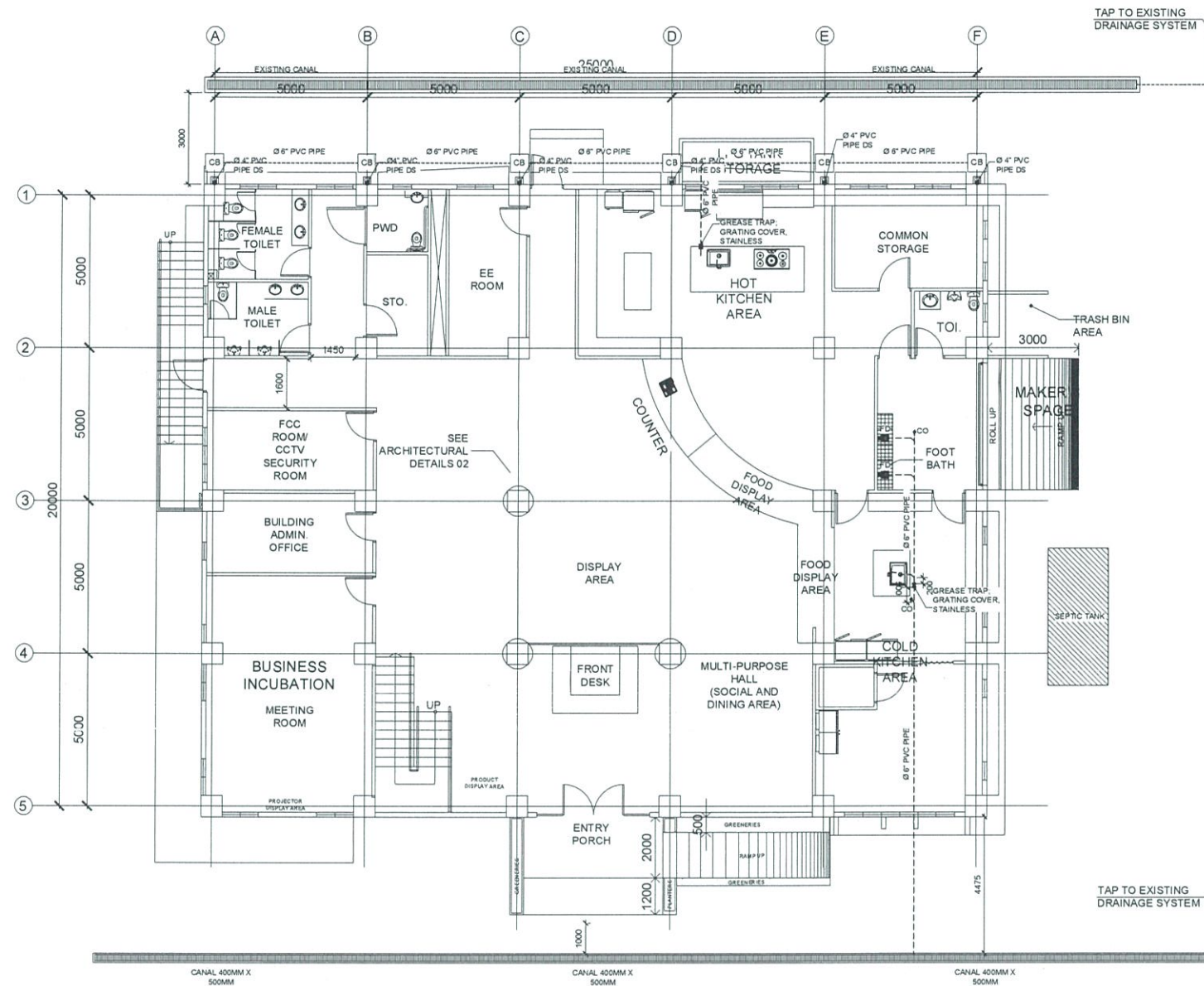
P TESDA INNOVATION CENTER-PPSAT
SECOND FLOOR WATER LINE LAYOUT
 SCALE 1:200MTS

| | | | | | | | | | |
|--|---|--|---|--|---|--|---|----------------------------|--------------------------|
| FOR APPROVAL PLANS OF REGIONAL TVET INNOVATION CENTERS (RTICs) 2023 | | TECHNICAL EDUCATION AND SKILLS DEVELOPMENT AUTHORITY | PROJECT TITLE PROPOSED TESDA PPSAT INNOVATION CENTER | PREPARED & CADD BY AR JUNIEL A. MENDOZA LEAD, PMU-SIPTVETS ENGINEERING SECTION | MASTER PLUMBER ENGR. FRANCISCO B. NARAG ASSISTANT PROFESSOR IV TESDA ISAT | PROJECT MANAGER DIR. ENRICO C. BANARIO PMU-SIPTVETS | PROJECT DIRECTOR SEC. SUHARTO T. MANGUDADATU, Ph.D. PMU-SIPTVETS SECRETARY, TESDA | SHEET CONTENTS AS SHOWN | SHEET NO. P- 8 |
| | <small>MAIN OFFICE ADDRESS: TESDA COMPLEX, East Service Road, Taguig City</small> | | <small>LOCATION: STA. MONICA, PUERTO PRINCESA, PALAWAN</small> | | | | | | |



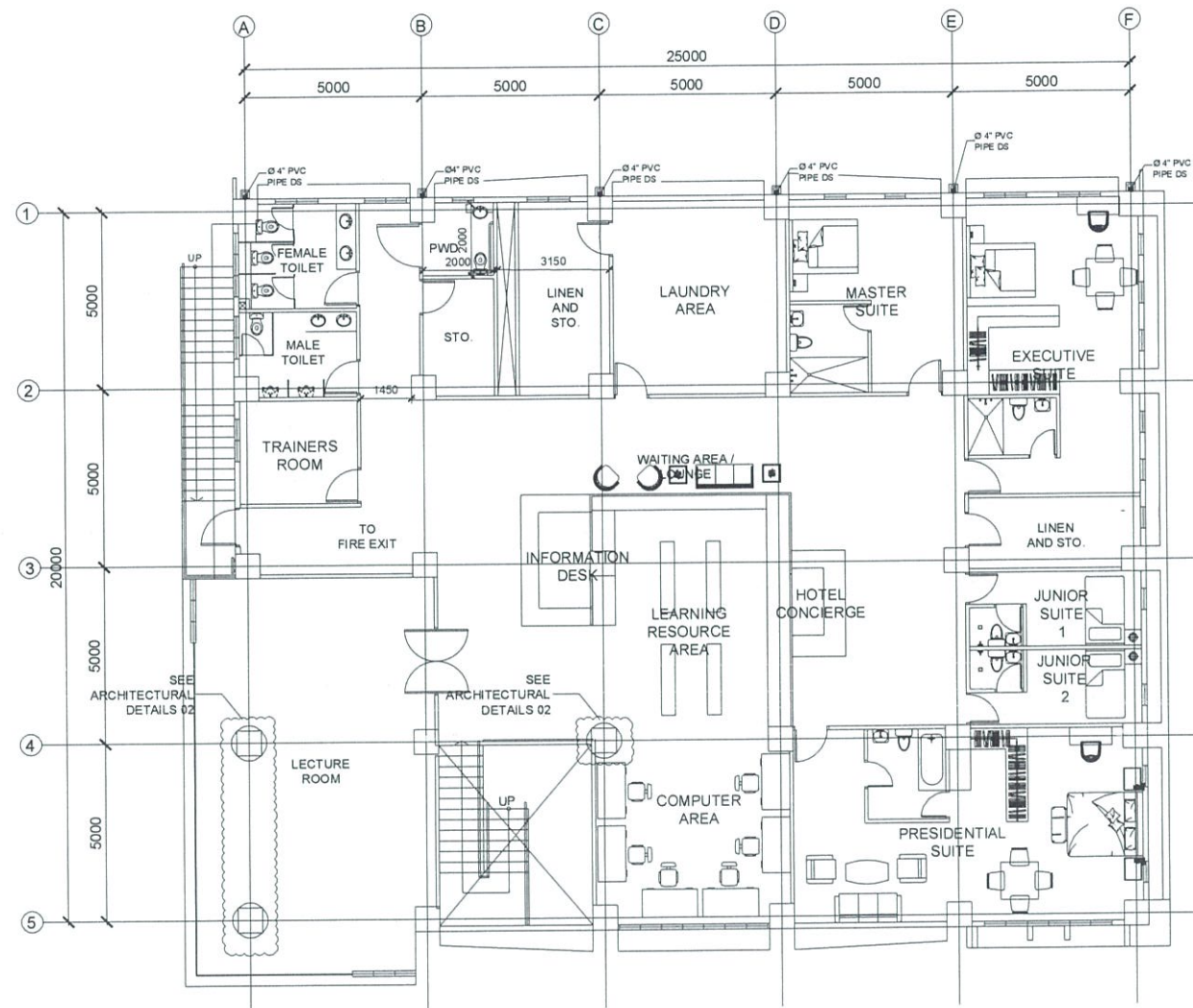
P
TESDA INNOVATION CENTER-PPSAT
WATER LINE ISOMETRIC LAYOUT
 SCALE 1:200MTS

| | | | | | | | | |
|--|--|--|--|---|---|---|--|---|
| FOR APPROVAL PLANS OF REGIONAL TVET INNOVATION CENTERS (RTICs) 2023 | <small>PROJECT OWNER:</small> TECHNICAL EDUCATION AND SKILLS DEVELOPMENT AUTHORITY | <small>PROJECT TITLE:</small> PROPOSED TESDA PPSAT INNOVATION CENTER | <small>PREPARED & CADD BY:</small> <small>AR. RUMIELA M. MENDOZA HEAD, PMU-SIPTVETS ENGINEERING SECTION</small> | <small>MASTER PLUMBER:</small> <small>ENGR. FRANCISCO B. NARAG ASSISTANT PROFESSOR IV TESDA ISAT</small> | <small>PROJECT MANAGER:</small> <small>DIR. ENRICO C. BANARIO PMU-SIPTVETS</small> | <small>PROJECT DIRECTOR:</small> <small>SEC. SUHARTO T. MANGUDADATU, Ph.D. PMU-SIPTVETS SECRETARY, TESDA</small> | <small>SHEET CONTENTS:</small> AS SHOWN | <small>SHEET NO.</small> P- 9 |
| | <small>MAIN OFFICE ADDRESS: TESDA COMPLEX, East Service Road BLEX, Taguig City</small> | | <small>LOCATION: STA. MONICA, PUERTO PRINCESA, PALAWAN</small> | | | | | |




P TESDA INNOVATION CENTER-PPSAT
GROUND FLOOR STORM WATER DRAINAGE LAYOUT
 SCALE 1:200MTS

| | | | | | | | | | |
|--|--|--|--|---|---|--|---|-----------------------------------|---------------------------------|
| FOR APPROVAL PLANS OF REGIONAL TVET INNOVATION CENTERS (RTICs) 2023 | | PROJECT OWNER TECHNICAL EDUCATION AND SKILLS DEVELOPMENT AUTHORITY | PROJECT TITLE PROPOSED TESDA PPSAT INNOVATION CENTER | PREPARED & CADD BY AR. RUFFEL A. MENDOZA HEAD, PMU-SIPTVETS ENGINEERING SECTION | MASTER PLUMBER ENGR. FRANCISCO B. NARAG ASSISTANT PROFESSOR IV TESDA ISAT | PROJECT MANAGER DIR. ENRICO C. BANARIO PMU-SIPTVETS | PROJECT DIRECTOR SEC. SUHARTO T. MANGUDADATU, Ph.D. PMU-SIPTVETS SECRETARY, TESDA | SHEET CONTENTS AS SHOWN | SHEET NO P- 10 |
| | <small>MAIN OFFICE ADDRESS: TESDA COMPLEX, East Service Road SLEX, Taguig City</small> | <small>LOCATION: STA. MONICA, PUERTO PRINCESA, PALAWAN</small> | | | | | | | |





P TESDA INNOVATION CENTER-PPSAT
SECOND FLOOR STORM WATER DRAINAGE LAYOUT
 SCALE 1:200MTS

**FOR APPROVAL PLANS OF
 REGIONAL TVET INNOVATION
 CENTERS (RTICs) 2023**

PROJECT OWNER
 **TECHNICAL EDUCATION
 AND
 SKILLS DEVELOPMENT
 AUTHORITY**


PROJECT TITLE
**PROPOSED TESDA PPSAT
 INNOVATION CENTER**

PREPARED & CADD BY

AR RUJELA MENDOZA
 LEAD PMU-SIPTVETS
 ENGINEERING SECTION

MASTER PLUMBER

ENGR. FRANCISCO B. NARAG
 ASSISTANT PROFESSOR IV
 TESDA ISAT

PROJECT MANAGER

DIR. ENRICO C. BANARIO
 PMU-SIPTVETS

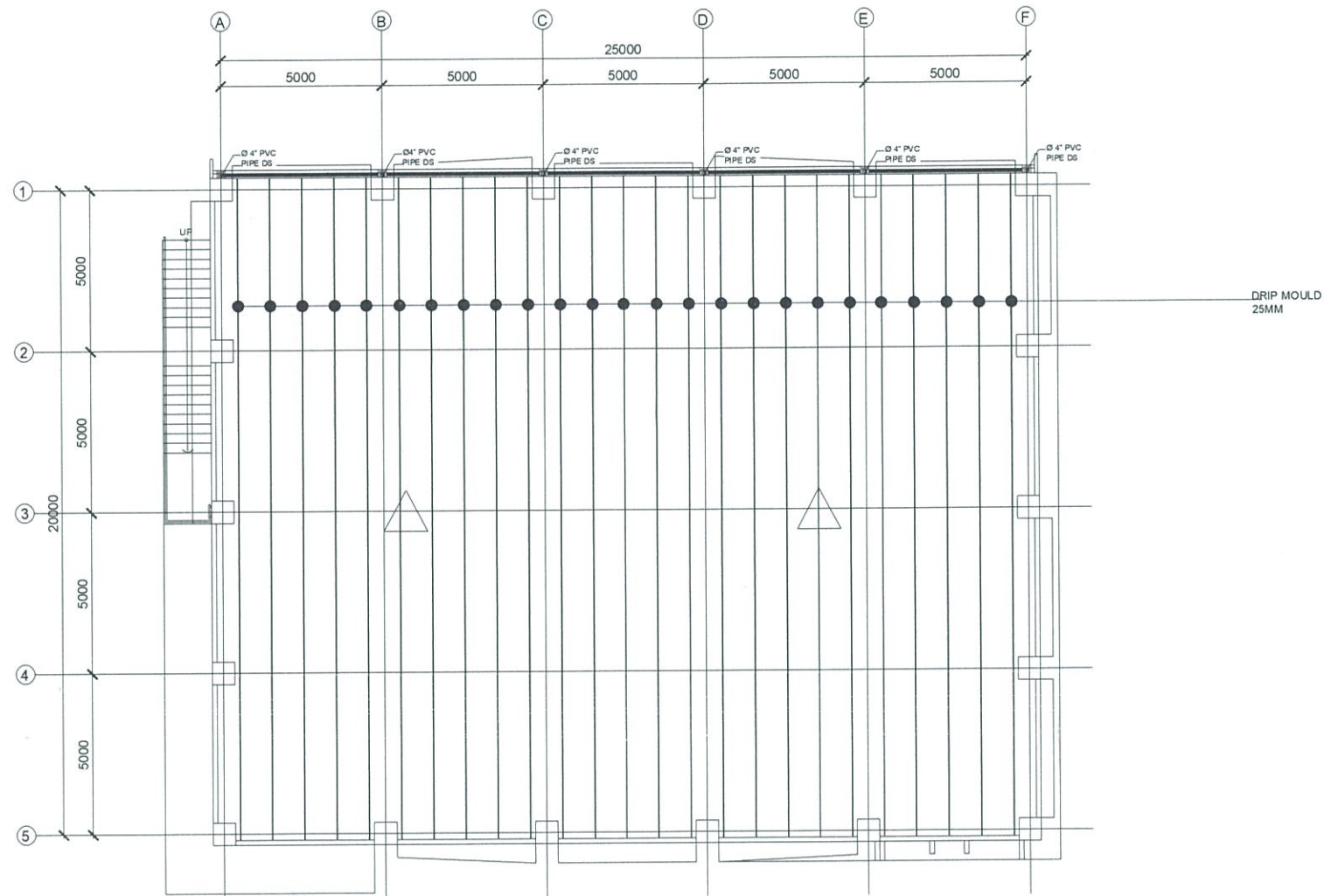
PROJECT DIRECTOR

SEC. SUHARTO T. MANGUDATU, Ph.D.
 PMU-SIPTVETS
 SECRETARY, TESDA

SHEET CONTENTS
 AS SHOWN

SHEET NO.
P- 11

MAIN OFFICE ADDRESS: TESDA COMPLEX, East Service Road SLEX, Taguig City

LOCATION: STA. MONICA, PUERTO PRINCESA, PALAWAN



P TESDA INNOVATION CENTER-PPSAT
ROOF DECK STORM WATER DRAINAGE LAYOUT
 SCALE 1:200MTS

**FOR APPROVAL PLANS OF
 REGIONAL TVET INNOVATION
 CENTERS (RTICs) 2023**


PROJECT OWNER:

**TECHNICAL EDUCATION
 AND
 SKILLS DEVELOPMENT
 AUTHORITY**

MAIN OFFICE ADDRESS: TESDA COMPLEX, East Service Road SLEX, Taguig City


PROJECT TITLE:
**PROPOSED TESDA PPSAT
 INNOVATION CENTER**


LOCATION: STA. MONICA, PUERTO PRINCESA, PALAWAN

PREPARED & CADD BY:

AR RUMEL A. MENDOZA
 HEAD, PMU-SIPTVETS
 ENGINEERING SECTION

MASTER PLUMBER:

ENGR. FRANCISCO B. NARAG
 ASSISTANT PROFESSOR IV
 TESDA ISAT

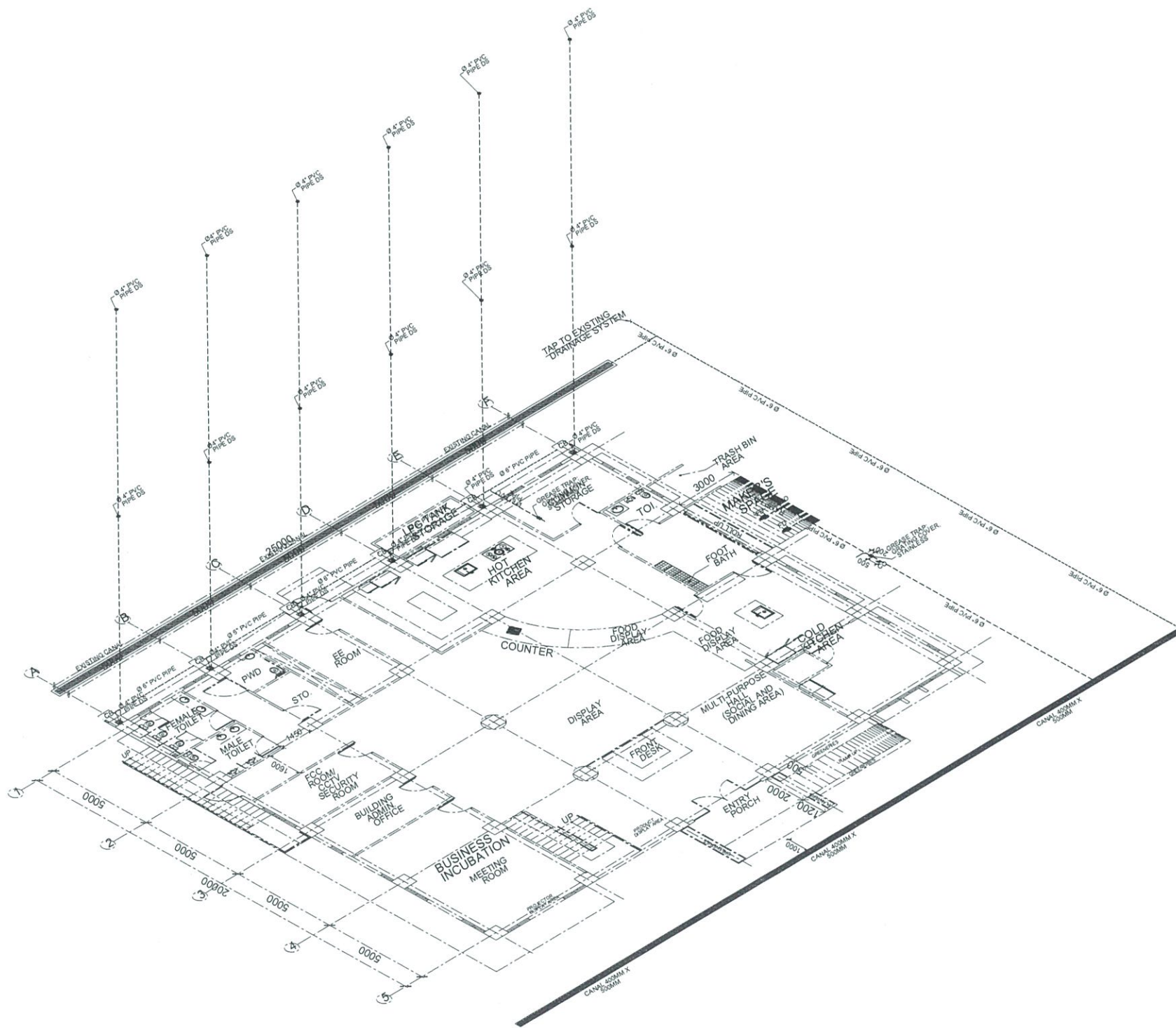
PROJECT MANAGER:

DIR. ENRICO C. BANARIO
 PMU-SIPTVETS

PROJECT DIRECTOR:

SEC. SUHARTO T. MANGUDADATU, Ph.D.
 PMU-SIPTVETS
 SECRETARY, TESDA

SHEET CONTENTS:
 AS SHOWN


SHEET NO.

P- 12





P TESDA INNOVATION CENTER-PPSAT
STORM WATER DRAINAGE ISOMETRIC LAYOUT
 SCALE 1:200MTS


**FOR APPROVAL PLANS OF
 REGIONAL TVET INNOVATION
 CENTERS (RTICs) 2023**

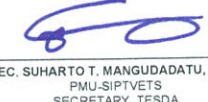
PROJECT OWNER

**TECHNICAL EDUCATION
 AND
 SKILLS DEVELOPMENT
 AUTHORITY**
MAIN OFFICE ADDRESS: TESDA COMPLEX, East Service Road SLDA, Taguig City

PROJECT TITLE
**PROPOSED TESDA PPSAT
 INNOVATION CENTER**
LOCATION: STA. MONICA, PUERTO PRINCESA, PALAWAN

PREPARED & CADD BY

AR. NUNEL A. MENDOZA
 HEAD, PMU-SIPTVETS
 ENGINEERING SECTION

MASTER PLUMBER

ENGR. FRANCISCO B. NARAG
 ASSISTANT PROFESSOR IV
 TESDA ISAT

PROJECT MANAGER

DIR. ENRICO C. BANARIO
 PMU-SIPTVETS

PROJECT DIRECTOR

SEC. SUHARTO T. MANGUDADATU, Ph.D.
 PMU-SIPTVETS
 SECRETARY, TESDA

SHEET CONTENTS:
 AS SHOWN

SHEET NO
P- 13